

DVD Player

DVP6600,DVP6620

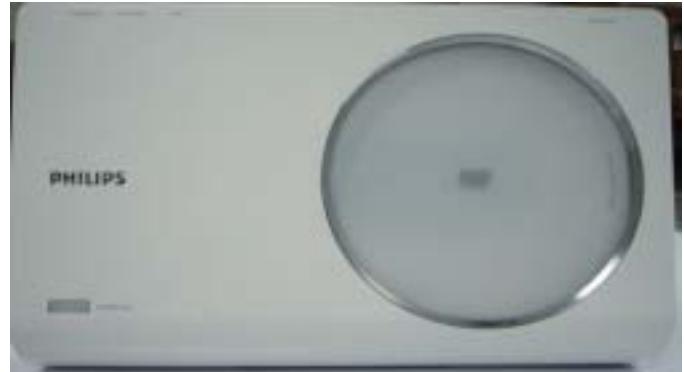
Service

DVP6600/93/37

DVP6620/55/98/93

Service

Service



Service Manual

TABLE OF CONTENTS

| | Chapter |
|---|---------|
| . Technical Specifications..... | 1-2 |
| . Safety Instruction, Warning & Notes..... | 1-3 |
| . Mechanical and Dismantling Instructions..... | 2-1 |
| . Region Code, Software Version & Upgrades..... | 3-1 |
| . Trouble Shooting Chart..... | 4-1 |
| . Wiring Diagram..... | 5-1 |
| . Electrical Diagrams and Print-layouts..... | 6-1 |
| . Set Mechanical & Packing Exploded view & Part list..... | 7-1 |
| . Revision list..... | 8-1 |

©Copyright 2007 Philips Consumer Electronics B.V. Eindhoven, The Netherlands
All rights reserved. No part of this publication may be reproduced, stored in a retrieval system or transmitted, in any form or by any means, electronic, mechanical, photocopying, or otherwise without the prior permission of Philips.

Published by TCL-KC0745 Service Audio Printed in The Netherlands Subject to modification
Version 1.3



GB 3139 785 32933

PHILIPS

Technical Specifications

TV standard (PAL/50Hz) (NTSC/60Hz)

| | | |
|-----------------|----------------|------------|
| Number of lines | 625 | 525 |
| Playback | Multi standard | (PAL/NTSC) |

Video performance

| | |
|--------------|--------------------|
| Video DAC | 12 bit, 108MHz |
| YPbPr: | 0.7Vpp ---- 75 ohm |
| Video output | 1Vpp ----- 75 ohm |

Video format

| | |
|---------------------|---------------------|
| Digital Compression | MPEG 2 for DVD,SVCD |
| | MPEG 1 for VCD |
| | DivX® |

| | | |
|---------------------|-------------|-------------|
| DVD | 50Hz | 60Hz |
| Horiz resolution | 720 pixels | 720 pixels |
| Vertical resolution | 576lines | 480 lines |

| | | |
|---------------------|-------------|-------------|
| VCD | 50Hz | 60Hz |
| Horiz. resolution | 352 pixels | 352 pixels |
| Vertical resolution | 288lines | 240 lines |

Audio format

| | | |
|---------|----------------------|---|
| Digital | MPEG/AC-3/PCM | Compressed Digital 16, 20, 24bits |
| | | fs, 44.1, 48, 96KHz |
| | MP3(ISO 9660) | 96,112,128,256kbps & variable bit rate fs,32, 44.1,48 kHz |

Analogue Sound Stereo

Dolby surround compatible downmix from Dolby Digital multi-channel sound

Audio performance

| | | |
|-------------------------|----------------|--------------|
| DA converter | 24bits, 192KHz | |
| DVD | fs 96kHz | 4Hz----44kHz |
| | fs 48kHz | 4Hz----22kHz |
| SVCD | fs 48kHz | 4Hz----22kHz |
| | fs 44.1kHz | 4Hz----20kHz |
| CD/ VCD | fs 44.1kHz | 4Hz----20kHz |
| Signal-Noise (1kHz) | >90dB | |
| Dynamic Range (1kHz) | >80dB | |
| Cross talk (1kHz) | >70dB | |
| Distortion/Noise (1kHz) | >65dB | |
| MPEG MP3 | MPEG Audio L3 | |

Connections

| | |
|---------------------|-------------------------|
| YpbPr output | Cinch 3x |
| Video output | Cinch(yellow) |
| Audio output (L+R) | Cinch (white/red) |
| Digital output | 1 coaxial |
| | IEC60958 for CDDA/ LPCM |
| | IEC61937 for MPEG1/2, |
| | Dolby Digital |

HDMI Out

Cabinet

| | |
|------------------------|----------------------|
| Dimensions (w X h X d) | 305 x 186 x 102 mm |
| Weight | Approximately 1.4 kg |

Power consumption

| | |
|-----------------------------------|------------------------|
| Power supply Rating | 110V-120V; 50/ 60HZ |
| Power consumption | <10W |
| Power consumption in standby mode | <1W |

Specifications subject to change without prior notice.

Safety instruction, Warning & Notes

Safety instruction

1. General safety

Safety regulations require that during a repair:

- . Connect the unit to the mains via an isolation transformer.
- . Replace safety components indicated by the symbol ▲, only by components identical to the original ones. Any other component substitution (other than original type) may increase risk of fire or electrical shock hazard.

Safety regulations require that after a repair, you must return the unit in its original condition. Pay, in particular, attention to the following points:

- . Route the wires/cables correctly, and fix them with the mounted cable clamps.
- . Check the insulation of the mains lead for external damage.
- . Check the electrical DC resistance between the mains plug and the secondary side:
 - 1) Unplug the mains cord, and connect a wire between the two pins of the mains plug.
 - 2) Set the mains switch the "on" position (keep the mains cord unplug).
 - 3) Measure the resistance value between the mains plug and the front panel, controls, and chassis bottom.
 - 4) Repair or correct unit when the resistance measurement is less than 1M Ω .
 - 5) Verify this, before you return the unit to the customer/user (ref. UL-standard no. 1492).
 - 6) Switch the unit "off", and remove the wire between the two pins of the mains plug.

2.Laser safety

This unit employs a laser. Only qualified service personnel may remove the cover, or attempt to service this device (due to possible eye injury).

Laser device unit

Type : Semiconductor laser GaAlAs

Wavelength : 650nm (DVD)

: 780nm (VCD/CD)

Output power : 7mW (DVD)

: 10mW (DVD /CD)

Beam divergence: 60 degree

Note: Use of controls or adjustments or performance of procedure other than those specified herein, may result in hazardous radiation exposure. Avoid direct exposure to beam.

Warning

1. General

. All ICs and many other semiconductors are susceptible to electrostatic discharges (ESD). Careless handling during repair can reduce life drastically. Make sure that, during repair, you are at the same potential as the mass of the set by a wristband with resistance. Keep components and tools at this same potential. Available ESD protection equipment:

- 1) Complete kit ESD3 (small tablemat, wristband, connection box, extension cable and earth cable) 4822 310 10671.
- 2) Wristband tester 4822 344 13999.

. Be careful during measurements in the live voltage section. The primary side of the power supply, including the heat sink, carries live mains voltage when you connect the player to the mains (even when the player is "off!"). It is possible to touch copper tracks and/or components in this unshielded primary area, when you service the player. Service personnel must take precautions to prevent touching this area or components in this area. A "lighting stroke" and a stripe-marked printing on the printed wiring board, indicate the primary side of the power supply.

. Never replace modules, or components, while the unit is "on".

2. Laser

- . The use of optical instruments with this product, will increase eye hazard.
- . Only qualified service personnel may remove the cover or attempt to service this device, due to possible eye injury.
- . Repair handling should take place as much as possible with a disc loaded inside the player.
- . Text below is placed inside the unit, on the laser cover shield:


CAUTION: VISIBLE AND INVISIBLE LASER RADIATION WHEN OPEN, AVOID EXPOSURE TO BEAM.

Notes: Manufactured under licence from Dolby Laboratories. The double-D symbol is trademarks of Dolby Laboratories, Inc. All rights reserved.

Notes

Lead-Free requirement for service

IDENTIFICATION:

Regardless of special logo (not always indicated) 

One must treat all sets from 1.1.2005 onwards, according next rules.

Important note: In fact also products a little older can also be treated in this way as long as you avoid mixing solder-alloys (leaded/ lead-free). So best to always use SAC305 and the higher temperatures belong to this.

Due to lead-free technology some rules have to be respected by the workshop during a repair:

- Use only lead-free solder alloy Philips SAC305 with order code 0622 149 00106. If lead-free solder-paste is required, please contact the manufacturer of your solder-equipment. In general use of solder-paste within workshops should be avoided because paste is not easy to store and to handle.
- Use only adequate solder tools applicable for lead-free solder alloy. The solder tool must be able
 - To reach at least a solder-temperature of 400°C,
 - To stabilize the adjusted temperature at the solder-tip
 - To exchange solder-tips for different applications.
- Adjust your solder tool so that a temperature around 360°C – 380°C is reached and stabilized at the solder joint. Heating-time of the solder-joint should not exceed ~ 4 sec. Avoid temperatures above 400°C otherwise wear-out of tips will rise drastically and flux-fluid will be destroyed. To avoid wear-out of tips switch off un-used equipment, or reduce heat.
- Mix of lead-free solder alloy / parts with leaded solder alloy / parts is possible but PHILIPS recommends strongly to avoid mixed solder alloy types (leaded and lead-free). If one cannot avoid, clean carefully the solder-joint from old solder alloy and re-solder with new solder alloy (SAC305).

- Use only original spare-parts listed in the Service-Manuals. Not listed standard-material (commodities) has to be purchased at external companies.
- Special information for BGA-ICs:
 - always use the 12nc-recognizable soldering temperature profile of the specific BGA (for de-soldering always use highest lead-free temperature profile, in case of doubt)
 - lead free BGA-ICs will be delivered in so-called 'dry-packaging' (sealed pack including a silica gel pack) to protect the IC against moisture. After opening, dependent of MSL-level seen on indicator-label in the bag, the BGA-IC possibly still has to be baked dry. This will be communicated via AYS-website.
Do not re-use BGAs at all.
- For sets produced before 1.1.2005, containing leaded soldering-tin and components, all needed spare-parts will be available till the end of the service-period. For repair of such sets nothing changes.
- On our website:
www.atyourservice.ce.Philips.com

You find more information to:

BGA-de-/soldering (+ baking instructions)
Heating-profiles of BGAs and other ICs used in Philips-sets

You will find this and more technical information within the "magazine", chapter "workshop news".

For additional questions please contact your local repair-helpdesk.

Mechanical and Dismantling Instructions

Dismantling Instruction

The following guidelines show how to dismantle the player.

Step1: Dismantling Ass'y-Bottom Socket . First press the Snap1 at the same time slide the Bottom Socket follow the below sign. then gently remove the Bottom Socket (Figure 1,2).



Figure 1



Figure 2

Mechanical and Dismantling Instructions

Dismantling Instruction

Step2: Dismantling Top Cover. Slide the Top Cover follow the below arrowhead, then remove the 4 screws. (Figure 3,4)
Note: Make sure to operate gently.

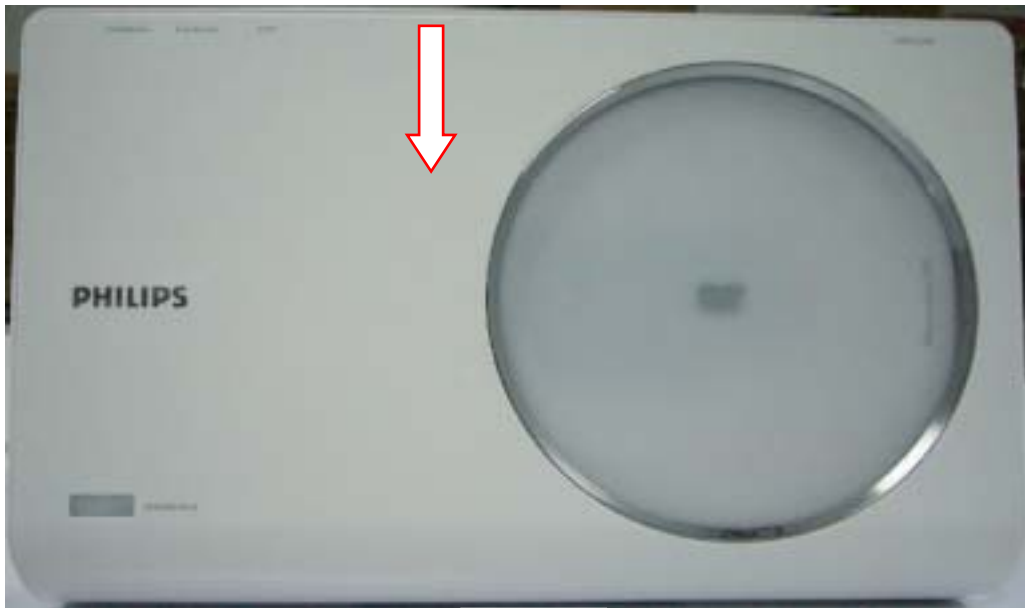


Figure 3



Figure 4

Mechanical and Dismantling Instructions

Dismantling Instruction

Step3: Dismantle the Tray Ass'y . First remove 7 screws around the Tray Ass'y, then disconnect the 1 connector below the Tray Ass'y. (Figure 5,6).

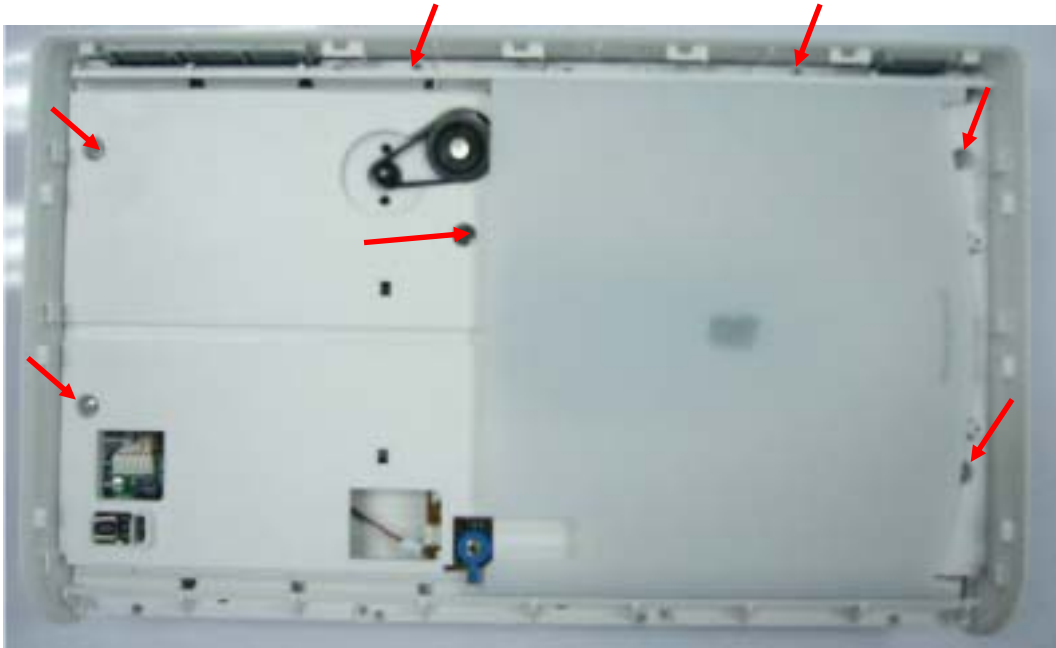


Figure 5



Figure 6

Mechanical and Dismantling Instructions

Dismantling Instruction

Step4: Dismantling Loader, disconnect the 2 connectors aiming in the below figure, and remove 2 screws around the Loader. (Figure 7)

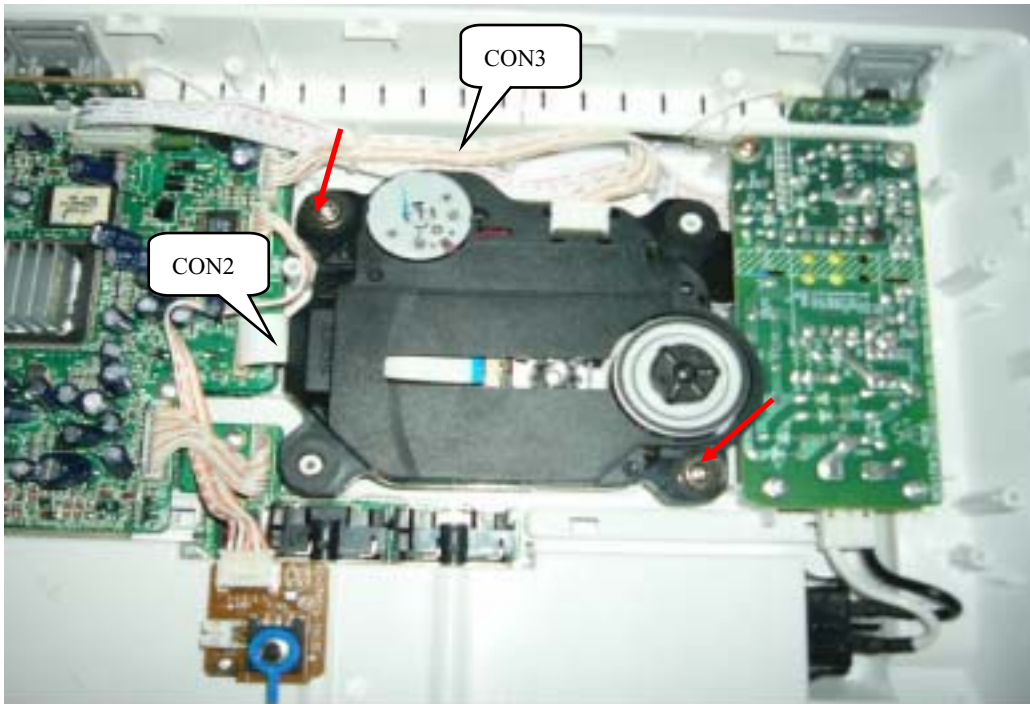


Figure 7

Step5: Dismantling Infra-red Board. Disconnect the 1 connector, then remove 2 screws around the Board. (Figure 8)

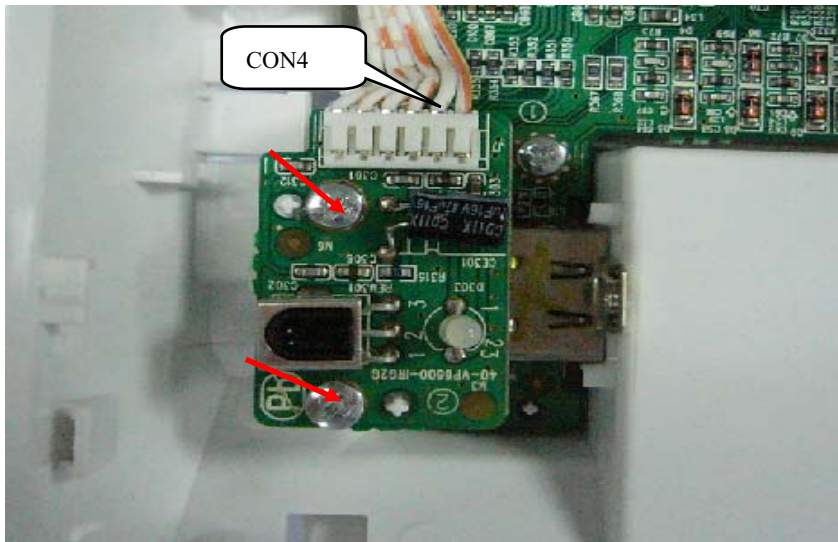


Figure 8

Mechanical and Dismantling Instructions

Dismantling Instruction

Step6: Dismantling Main Board, first disconnect the 4 connectors, and then remove 5 screws. (Figure 9)

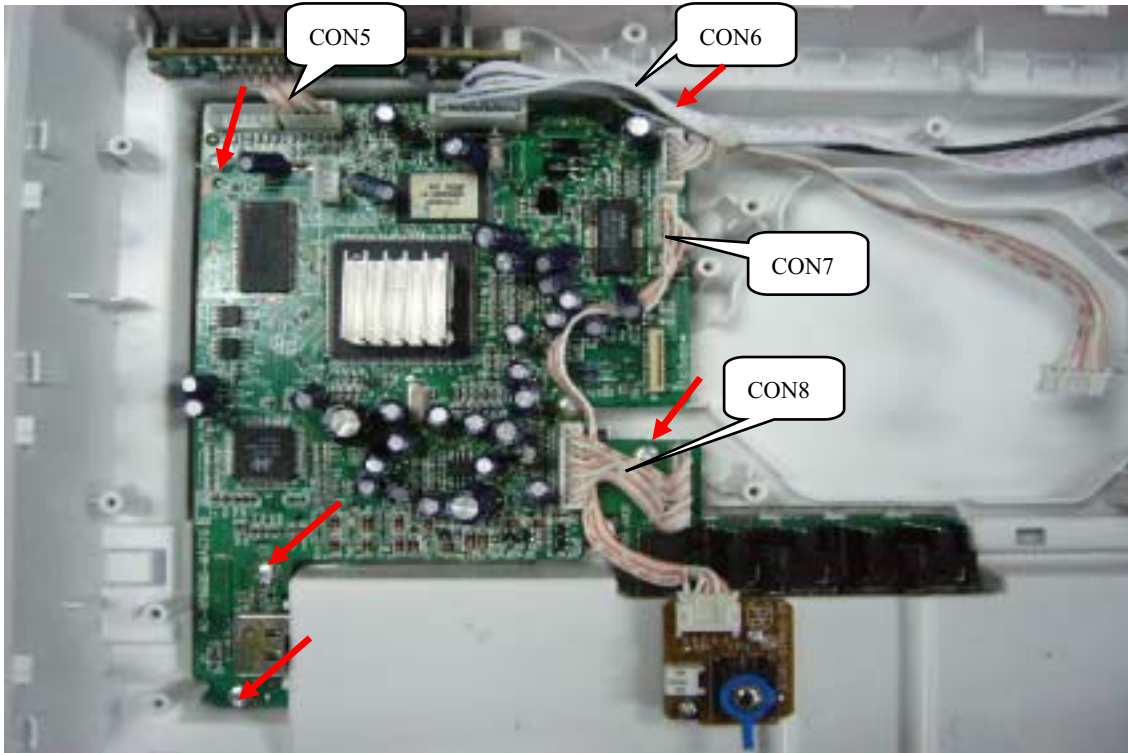


Figure 9

Step7: Dismantling the Power Board. First disconnect the 1 connector, and then remove 3screws around the board. (Figure 10)

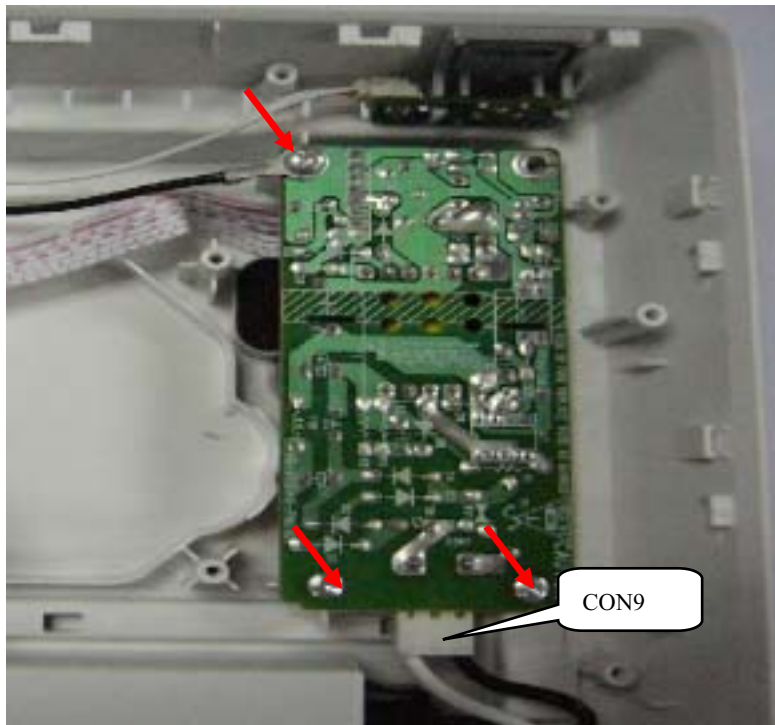


Figure 10

Mechanical and Dismantling Instructions

Dismantling Instruction

Step8: Dismantling Control Board. Disconnect the 1 connector, then release the snaps around the board. (Figure 11)

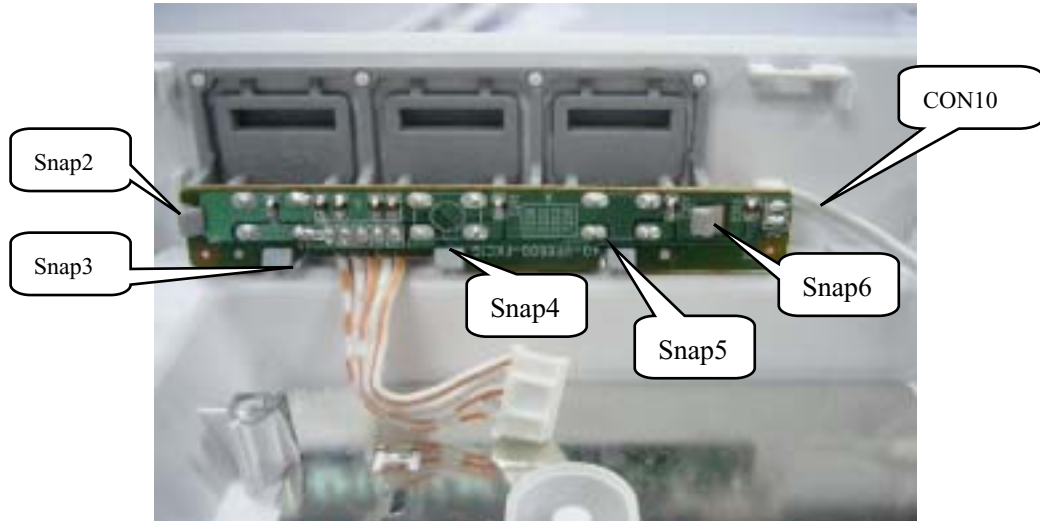


Figure 11

Step9: Dismantling Open Door Board. Release the 2 snaps around the board. (Figure 12)

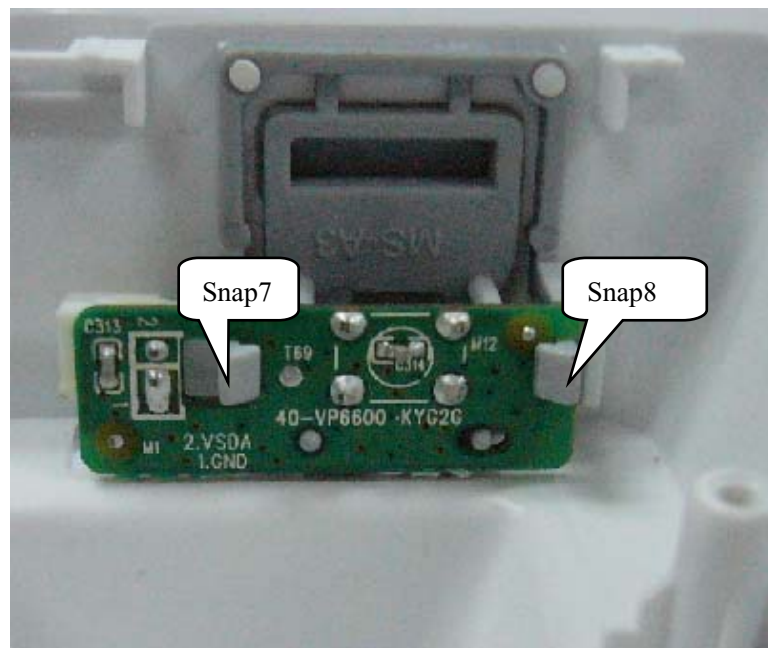


Figure 12

Mechanical and Dismantling Instructions

Dismantling Instruction

Step8: Dismantling CD Door Open/Close Board. Remove the 2 screws around the board. (Figure 13)

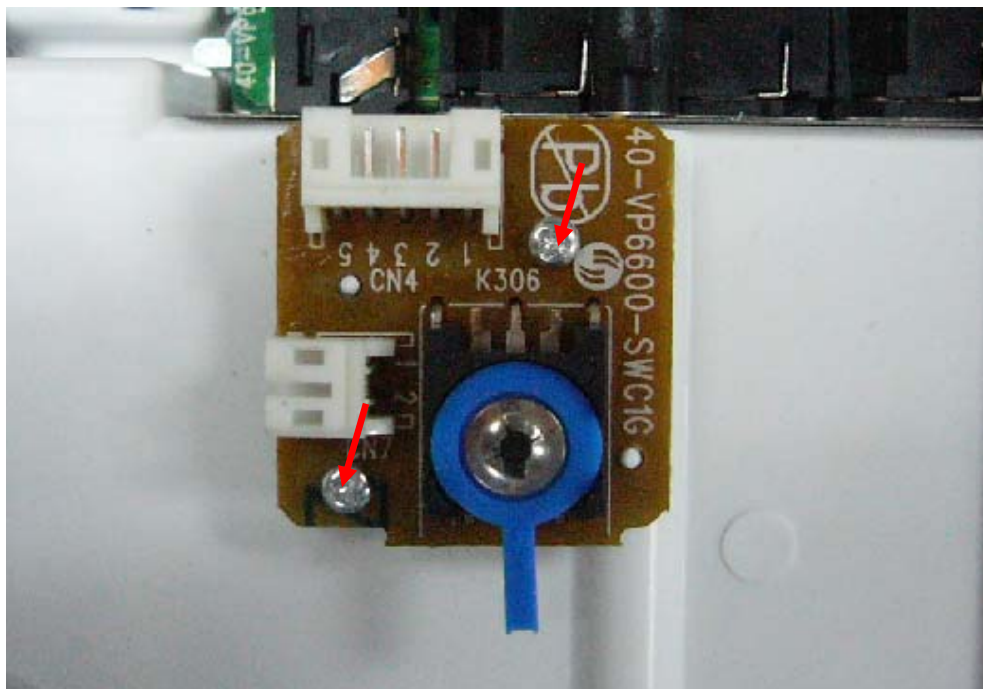


Figure 13

Step9: Dismantling AV Board . Remove the 3screws around the board. (Figure 14)

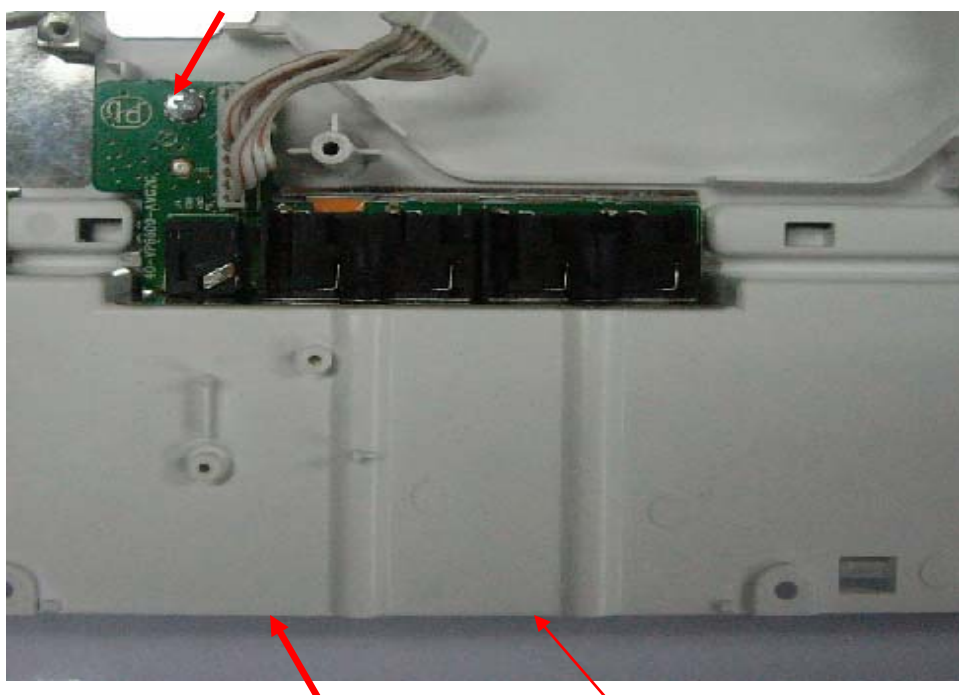
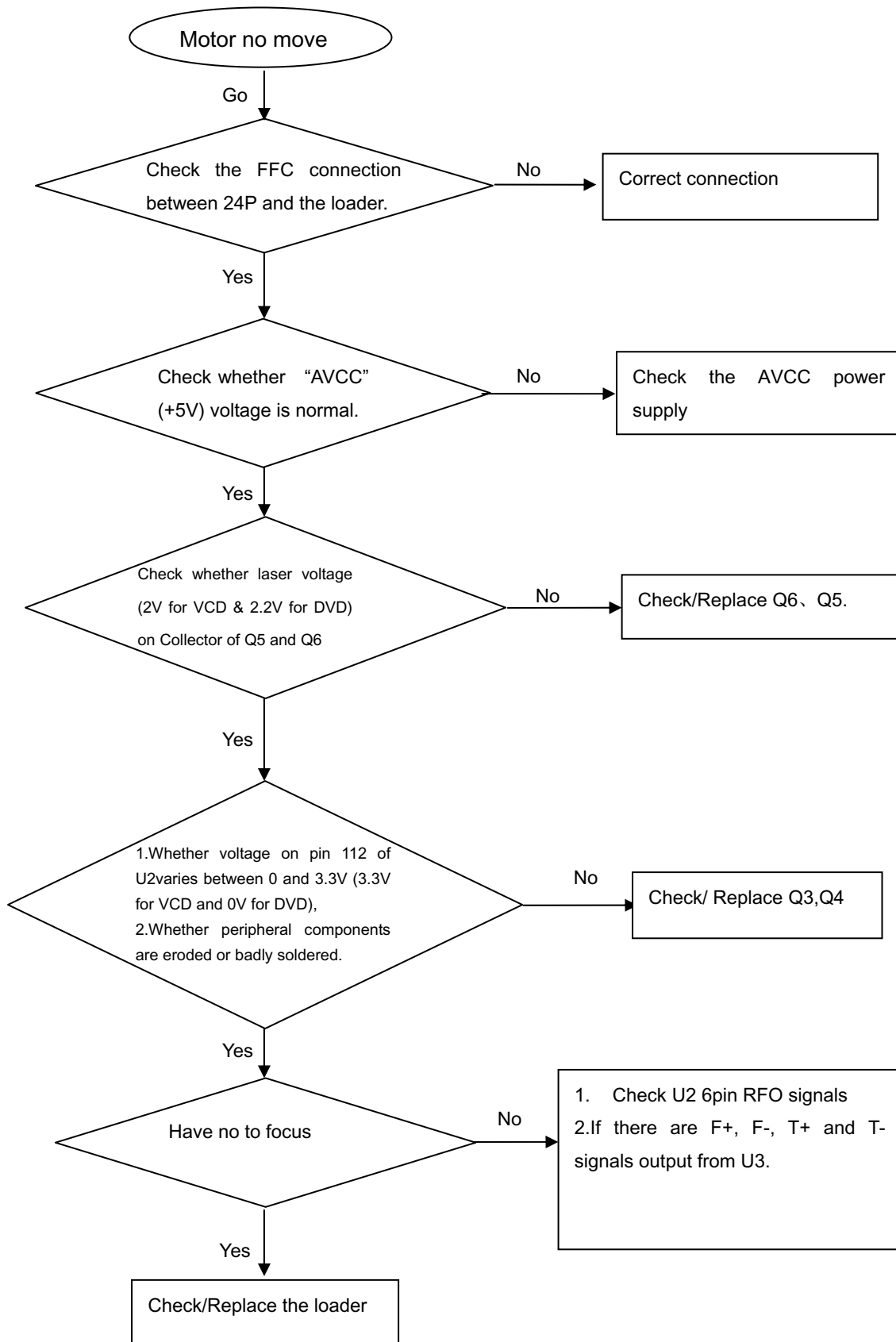
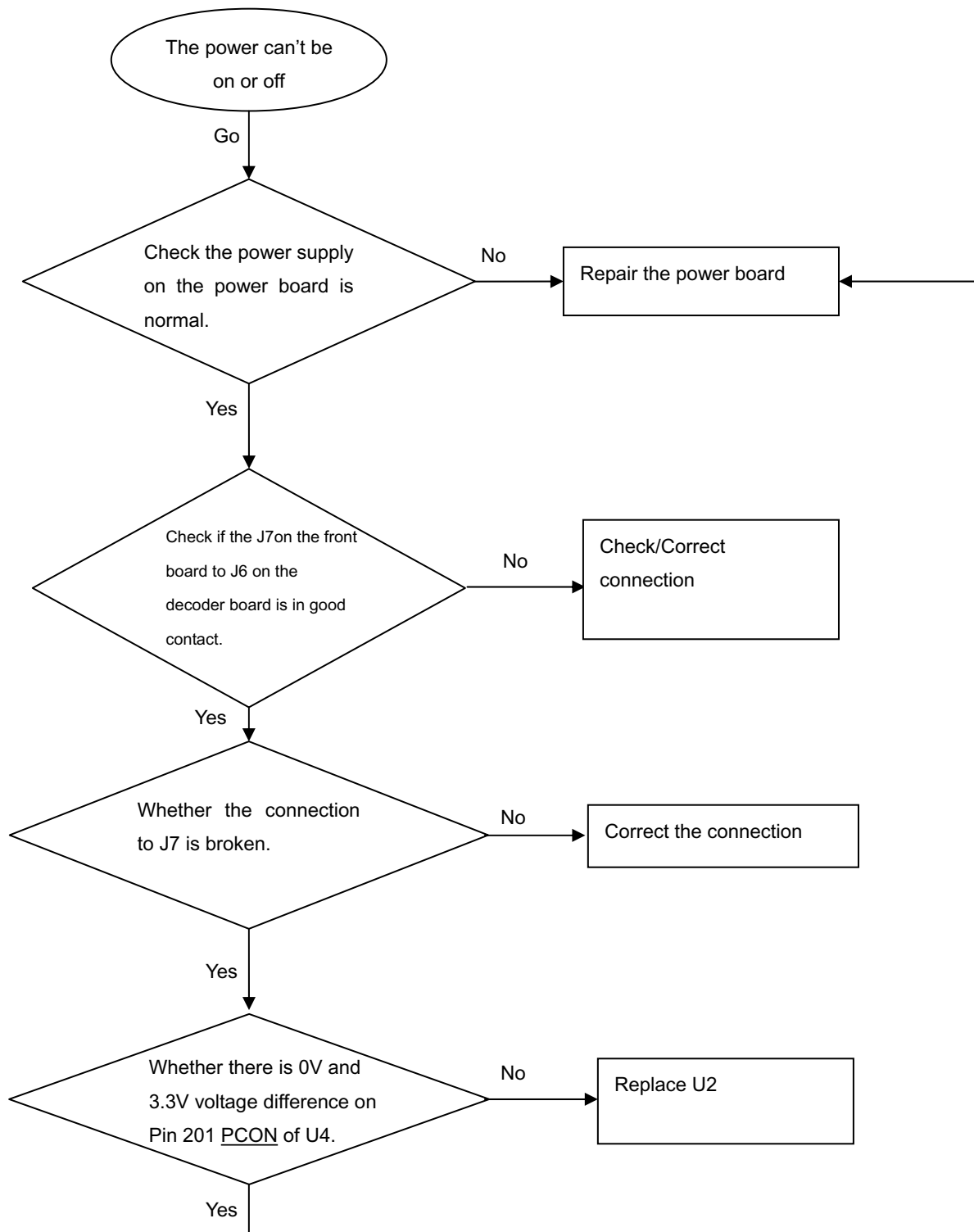
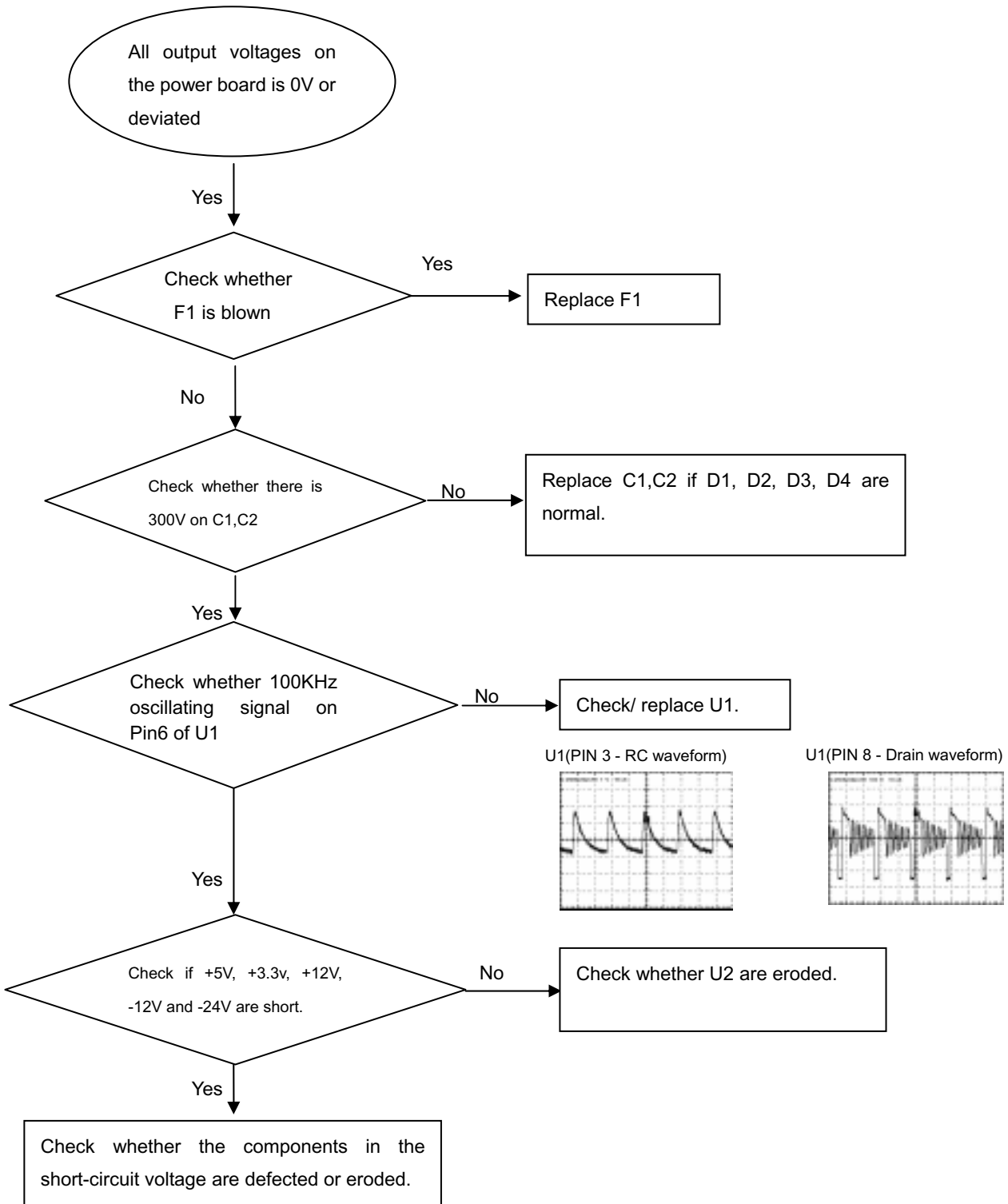


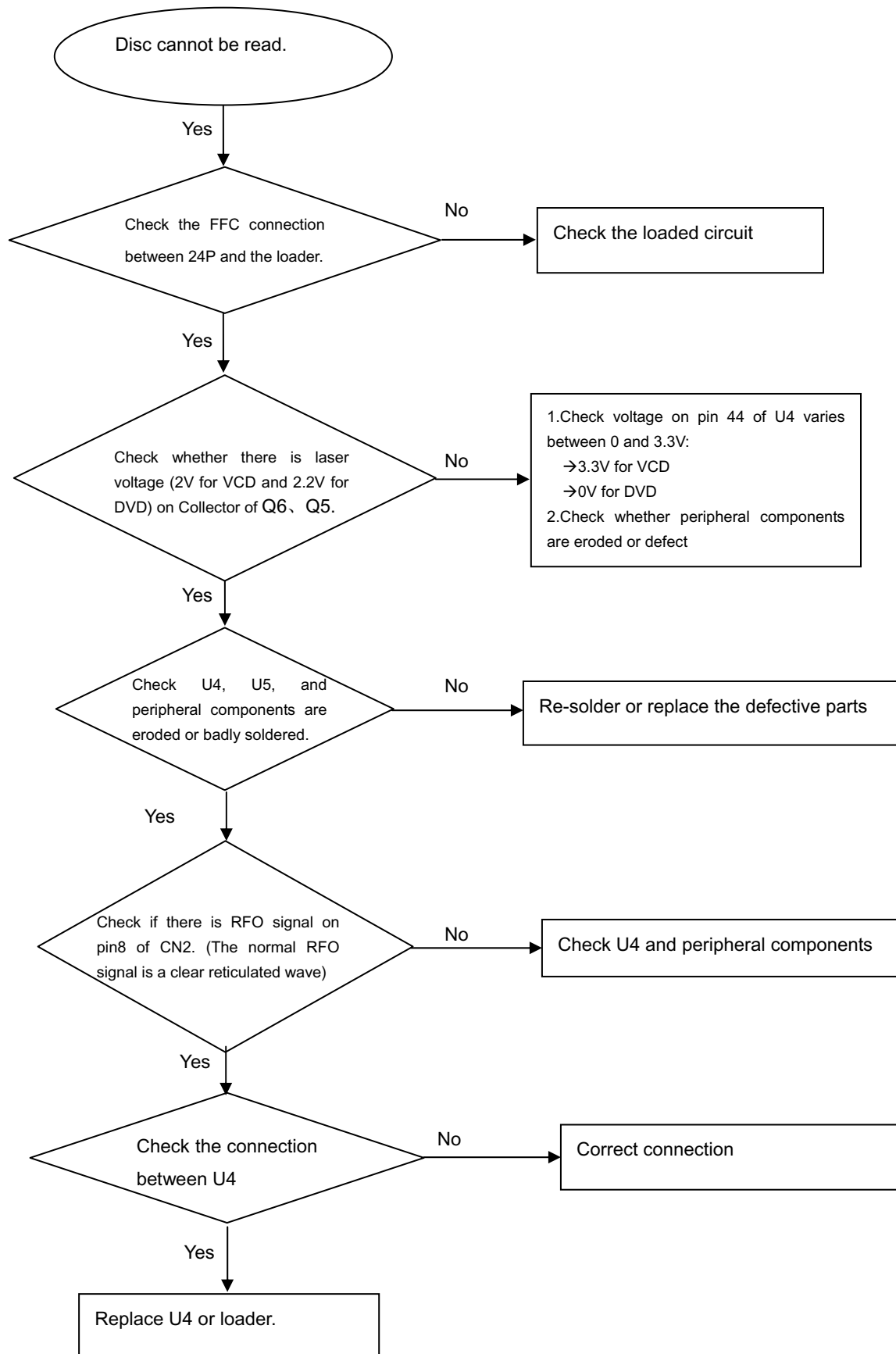
Figure 14

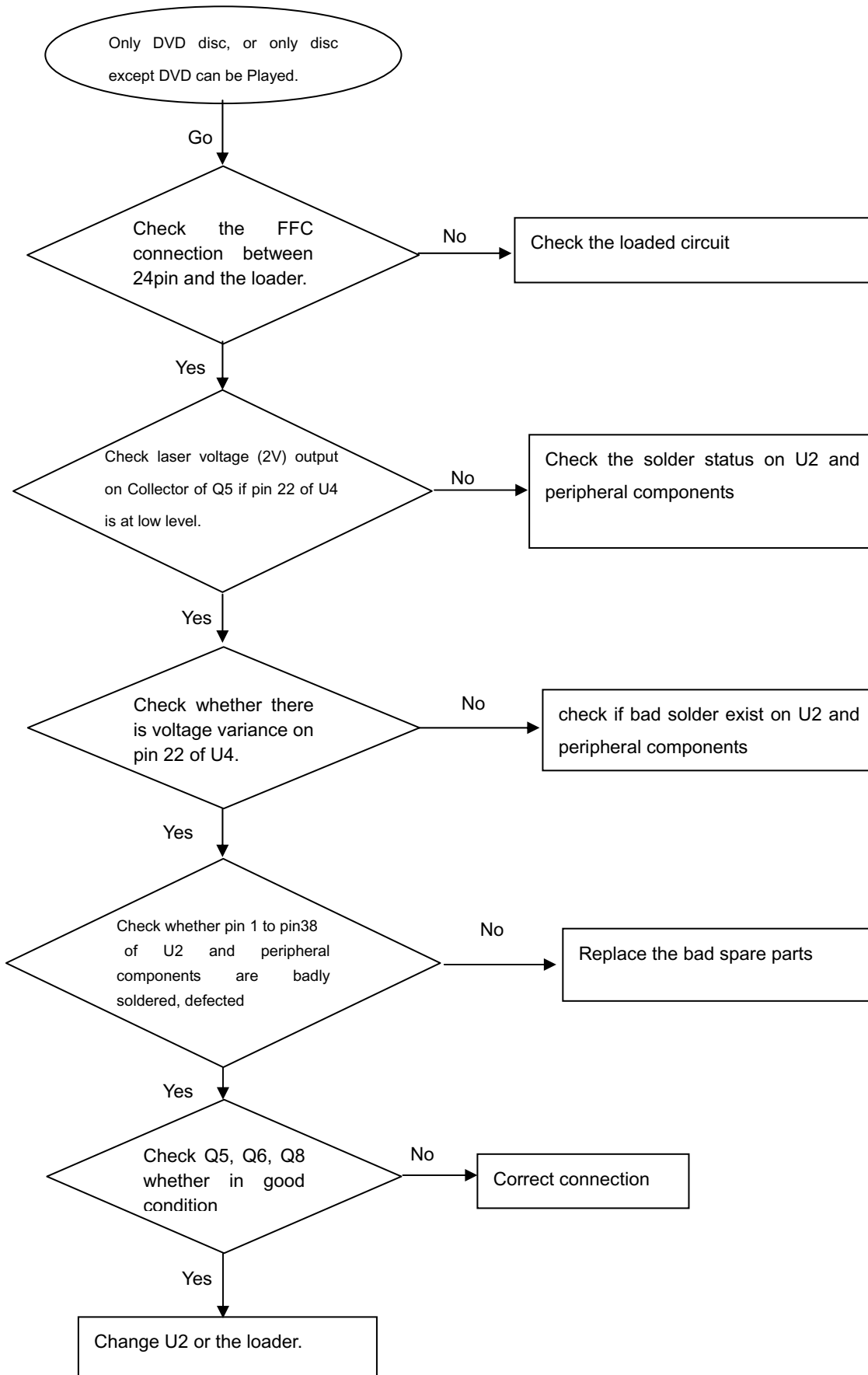
Spindle motor does not move

The power can not be on or off

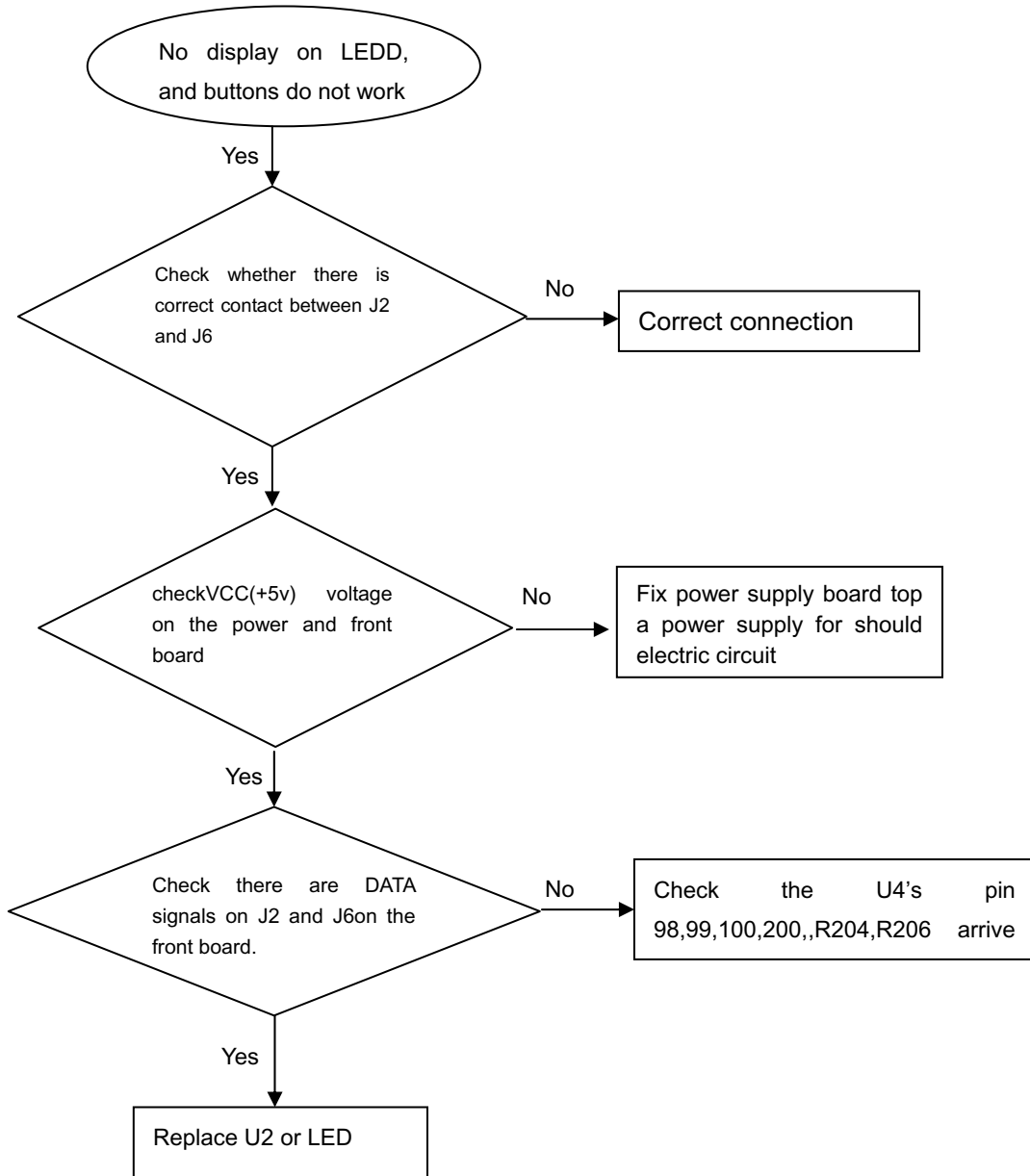
All output voltages on the power board is 0V or deviated.



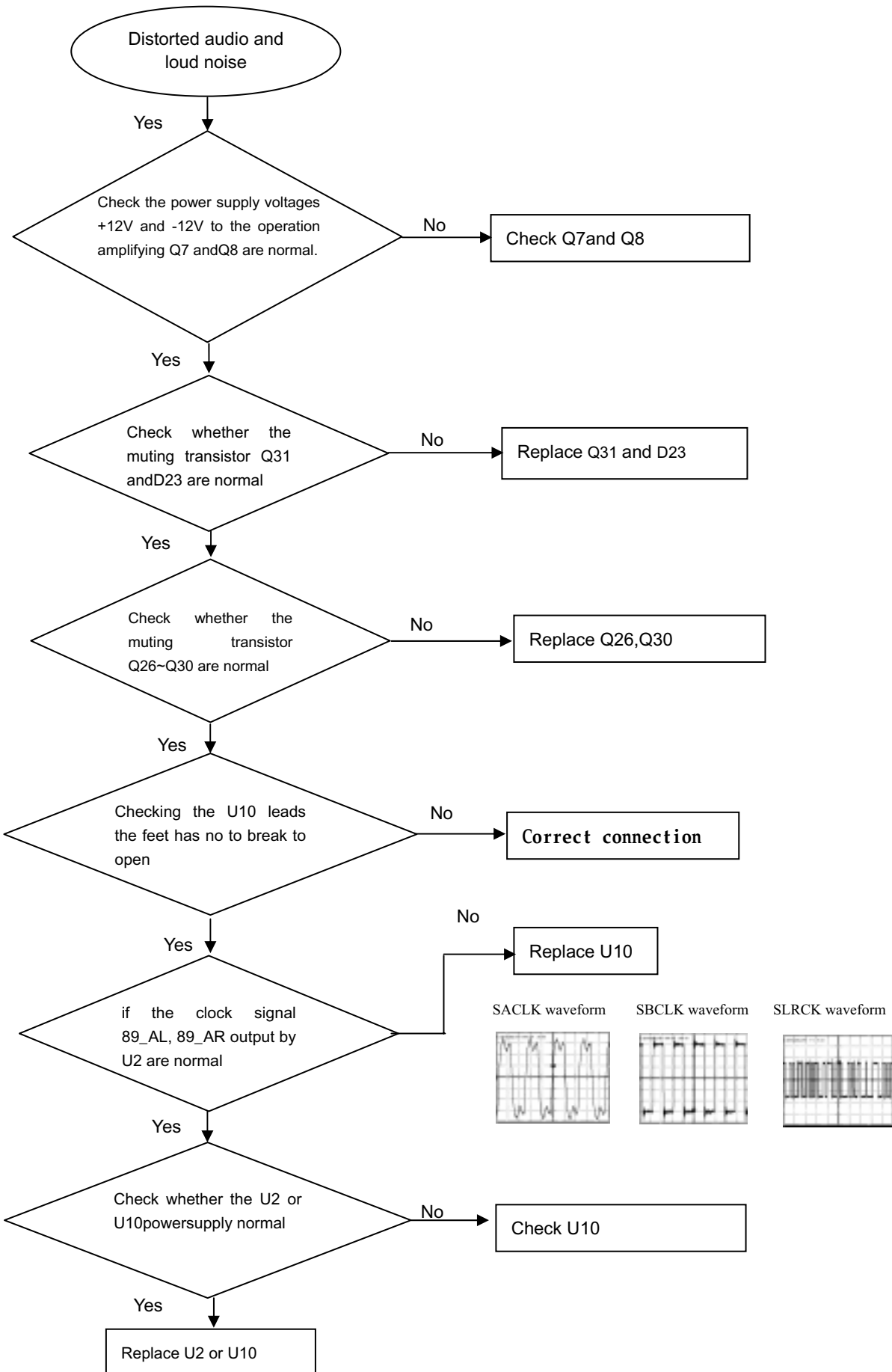
Disc cannot be read.

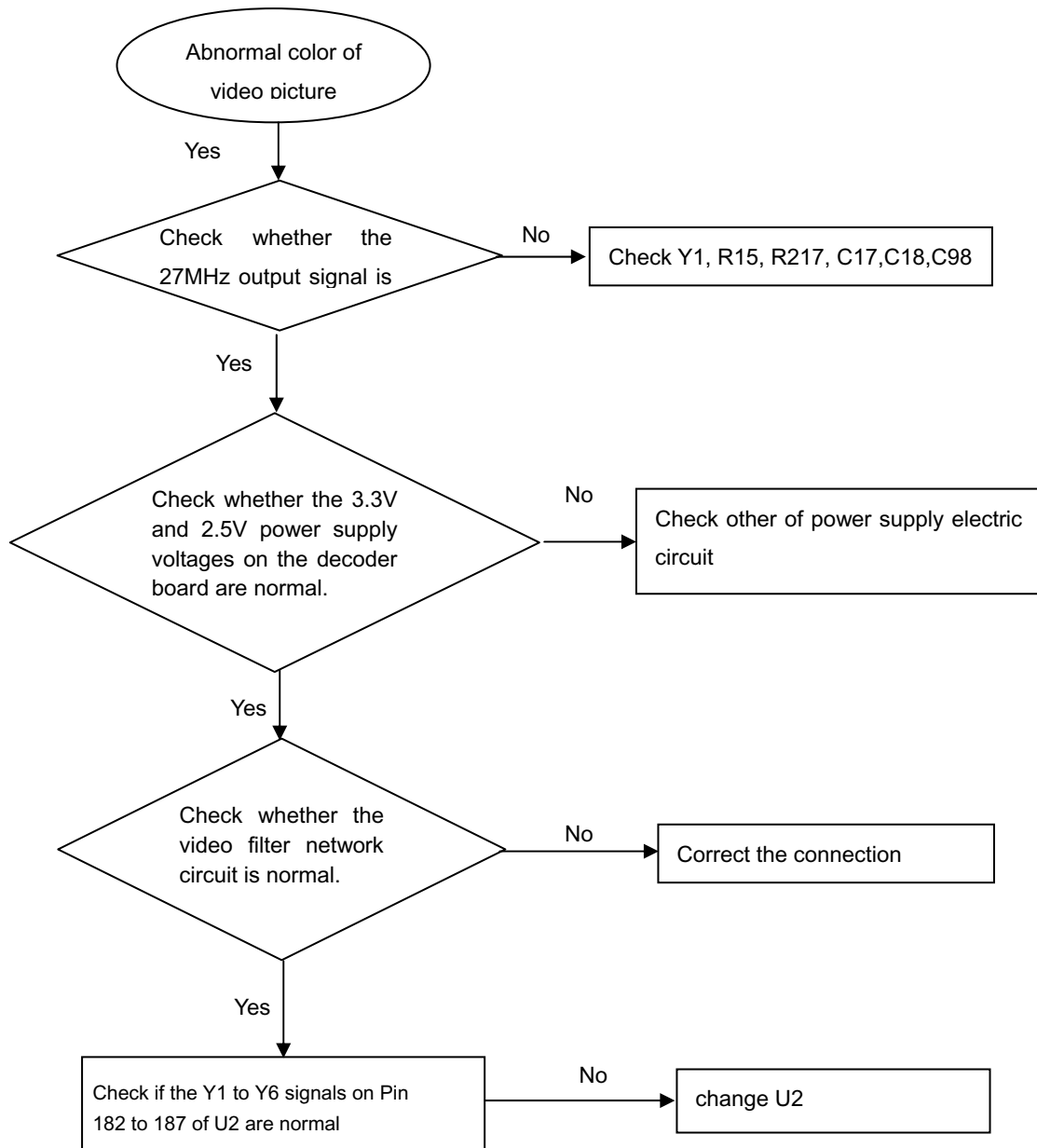
Only DVD disc or only disc except DVD can be played

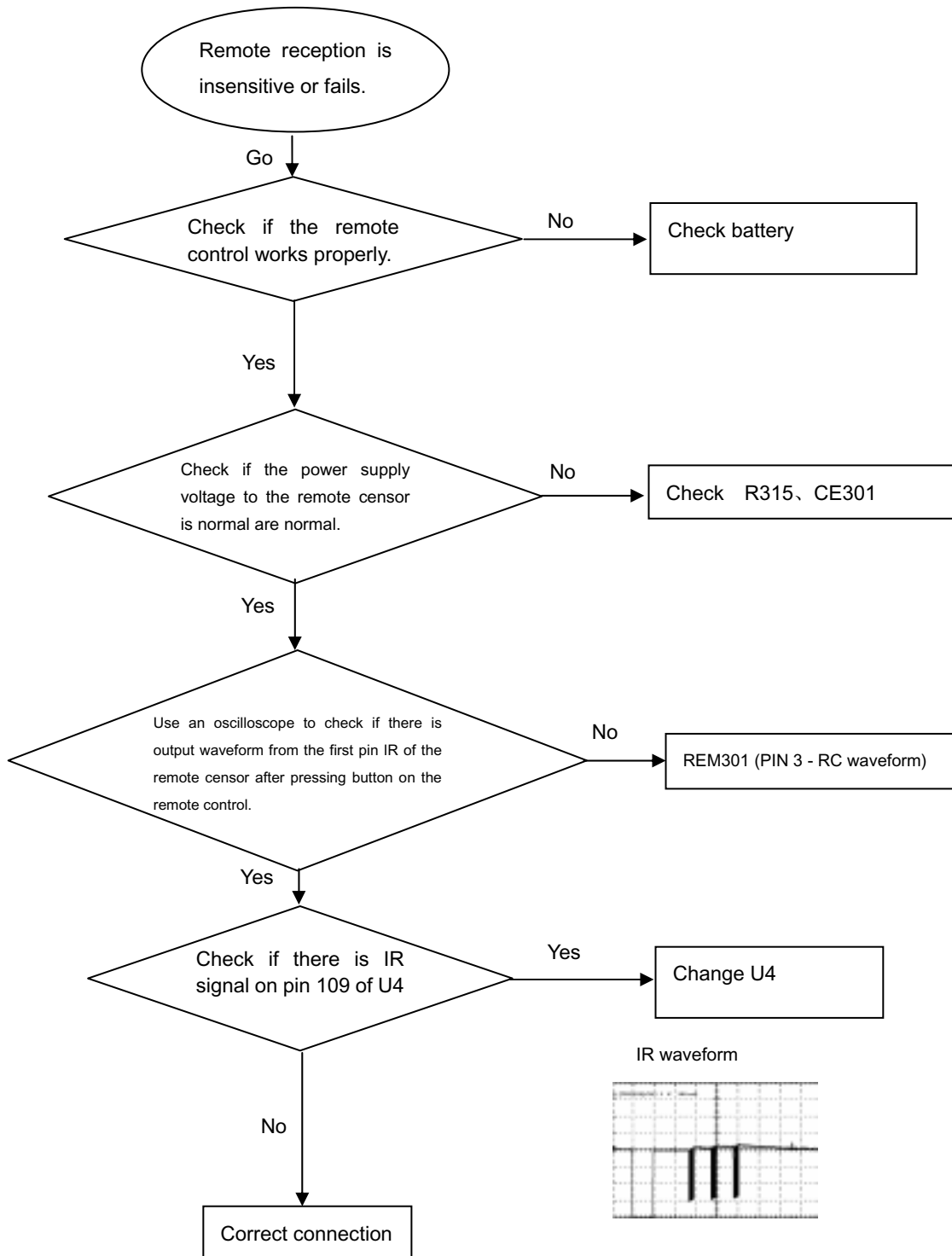
No display on LED, and buttons do not work



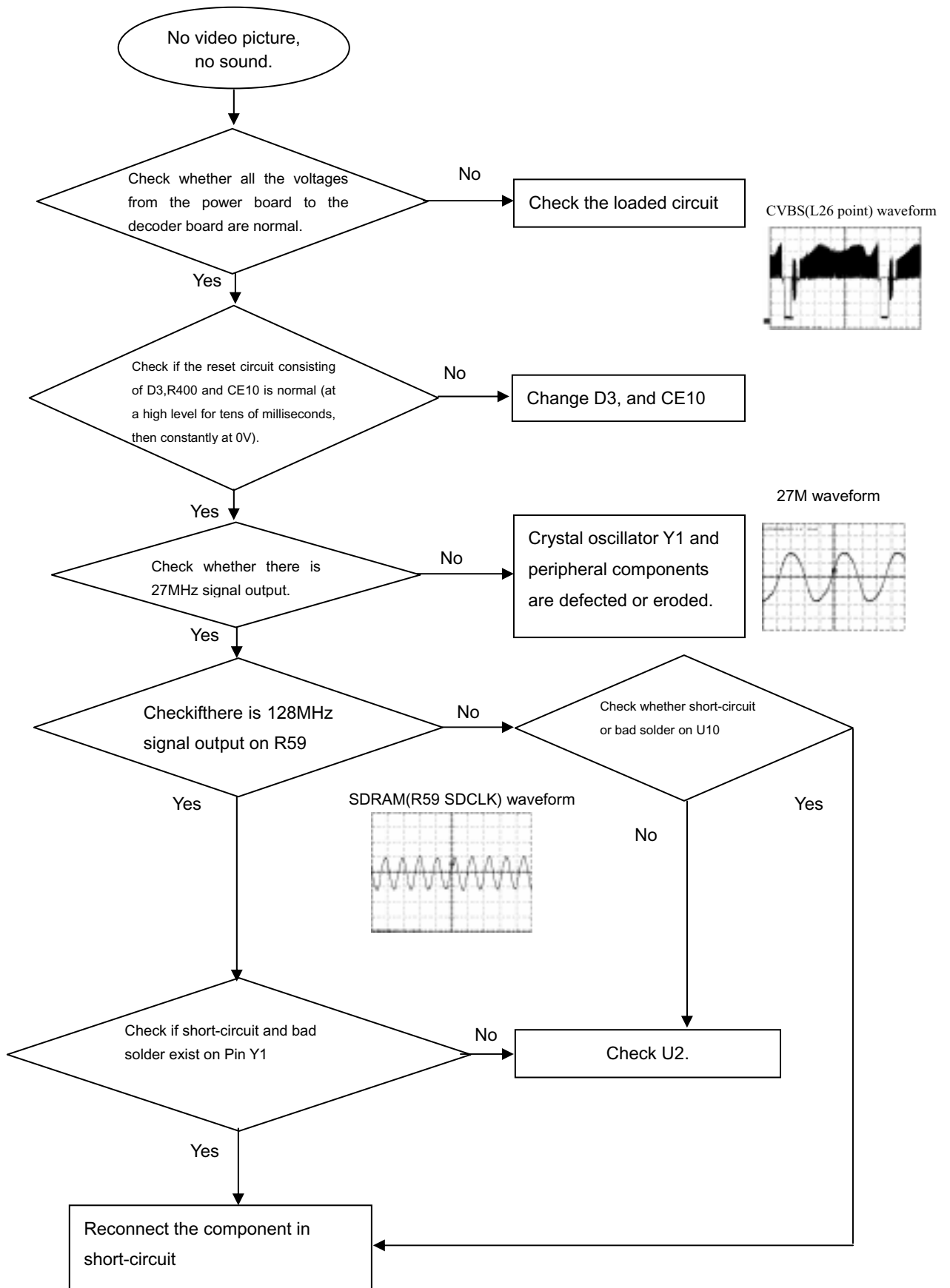
Distorted audio and loud noise



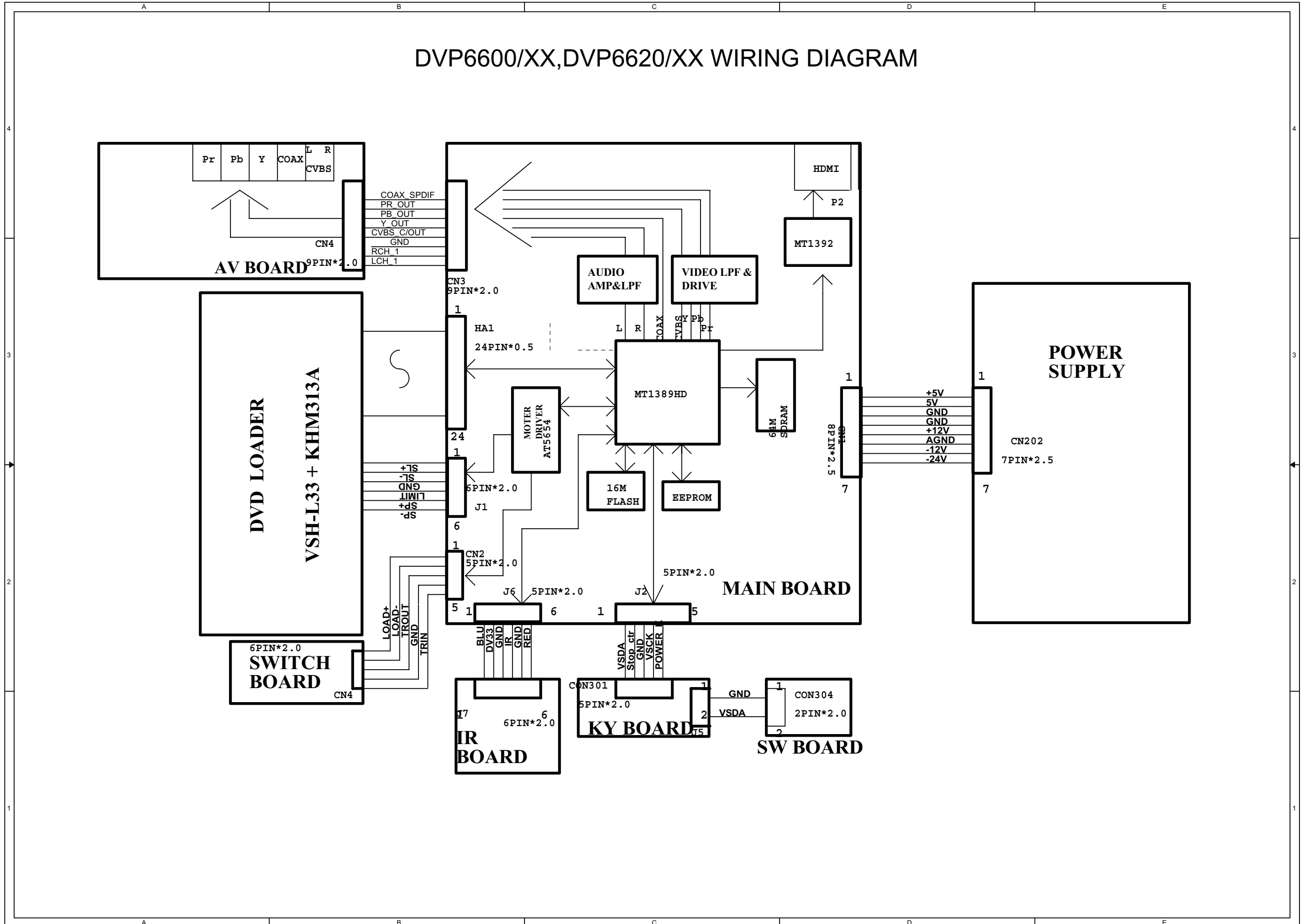
Abnormal color of video picture

Remote reception is insensitive or fails.

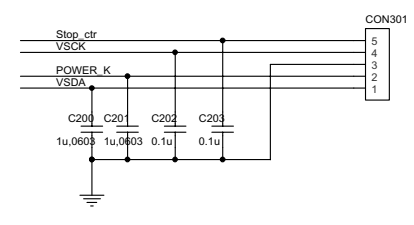
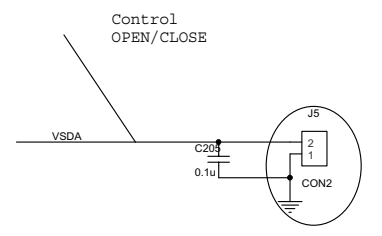
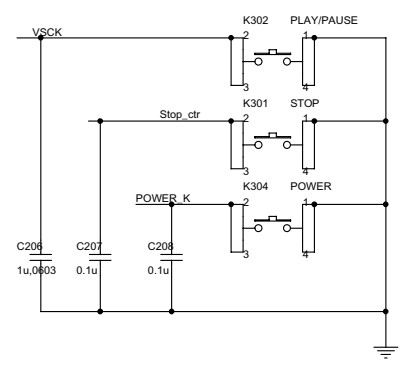
No video picture, no sound.



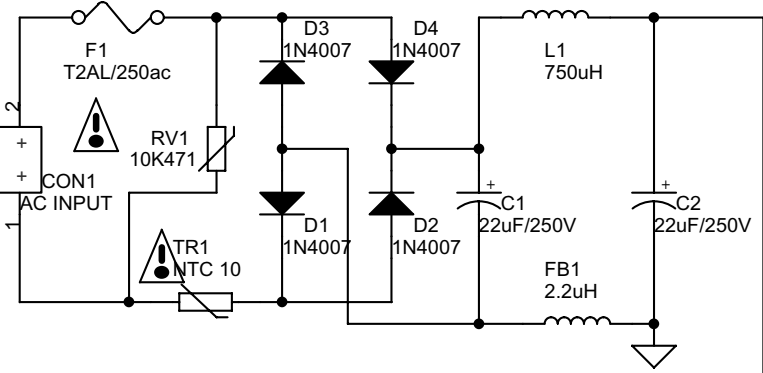
DVP6600/XX,DVP6620/XX WIRING DIAGRAM




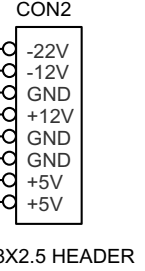
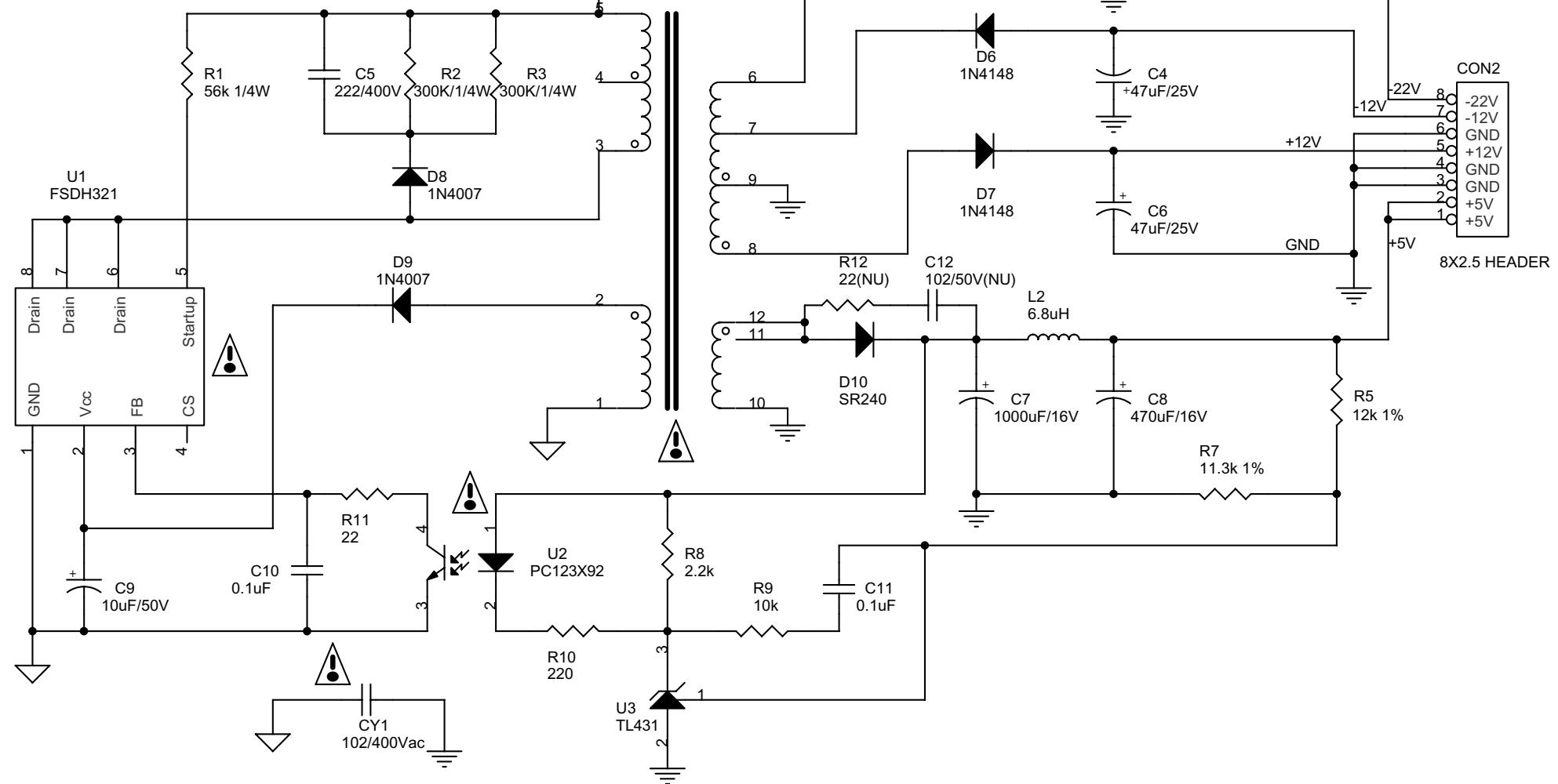
Control Board Electric Diagram for DVP6600/93/37,DVP6620/55/98/93



Power Board Electric Diagram for DVP6600/93/37,DVP6620/55/98/93



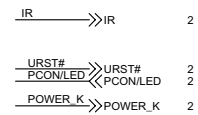
*** CAUTION :**
 THE PARTS MARKED WITH  ARE IMPORTANT PARTS ON THE SAFETY.
 PLEASE USE THE PARTS HAVING THE DESIGNATED PARTS NUMBER WITHOUT FAIL.



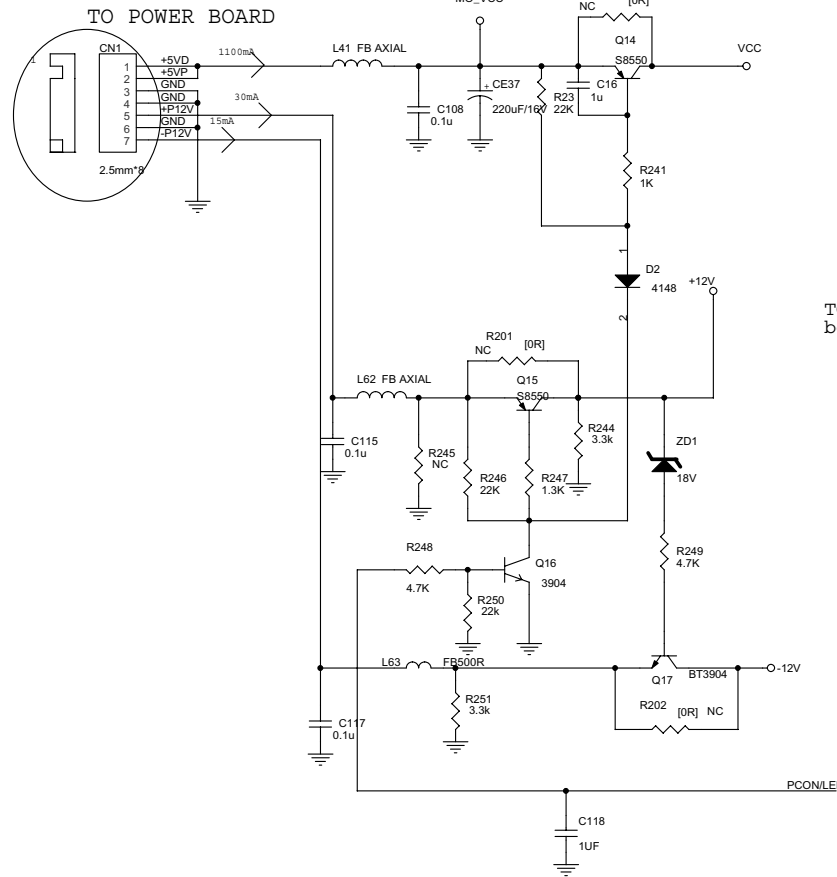
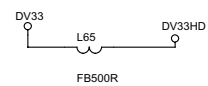
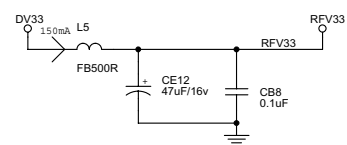
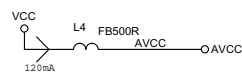
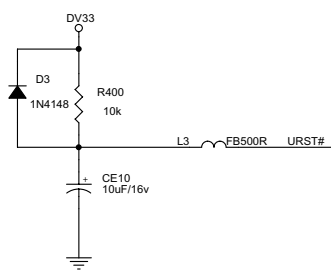
Main Board Electric Diagram for DVP6600/93/37, DVP6620/55/98/93: Power Board & Connector

MT1389HD (LQFP256) DVD MP Board for SANYO HD62/SONY KHM313AAAPUH w/MT1392 HDMI MD0278

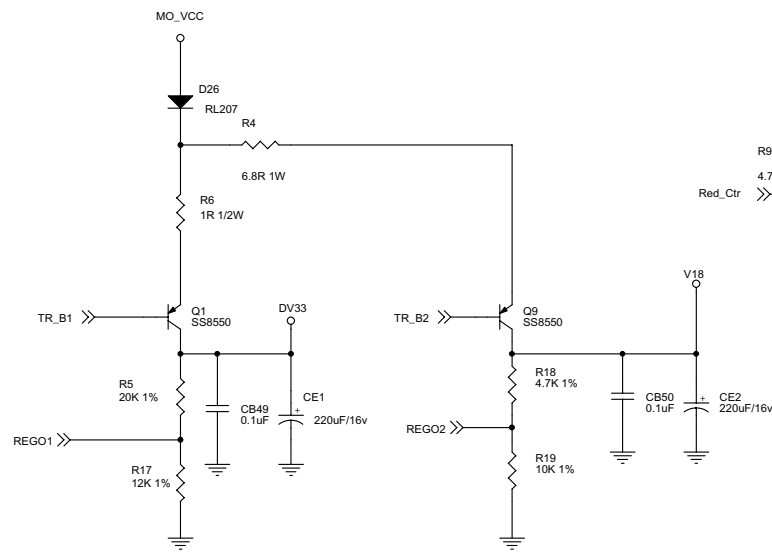
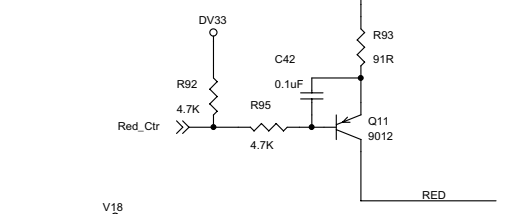
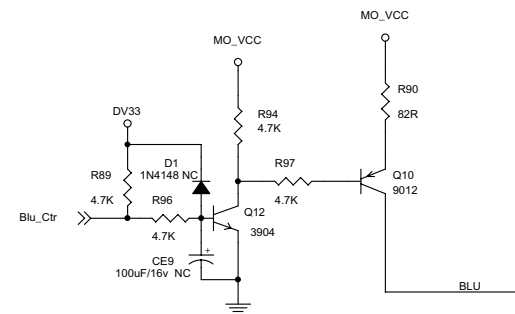
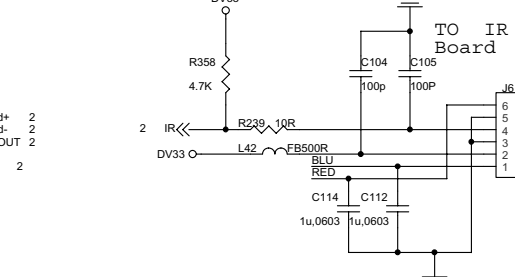
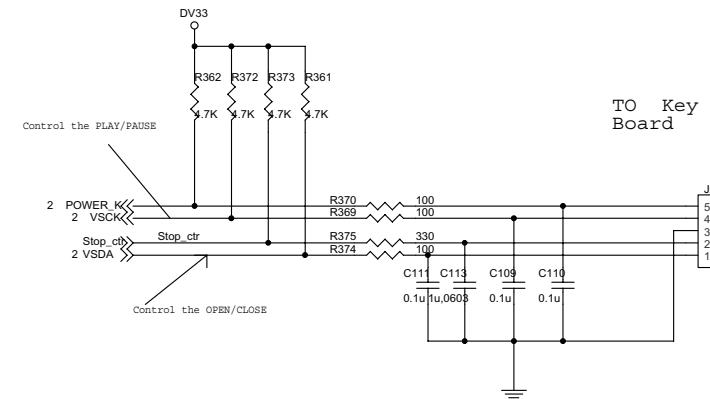
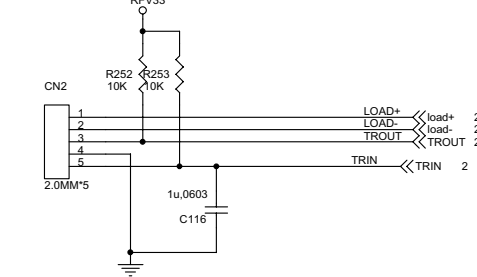
| NAME | TYPE | DEVICE |
|-------|------------------|-----------|
| VCC | Digital 5V | SUPPLY |
| DV33 | Digital 3.3V | MT1389E |
| RFV33 | Servo 3.3V | MT1389E |
| AV33 | Laser Diode 3.3V | MT1389E |
| V18 | Digital 1.8V | MT1389E |
| SD33 | Digital 3.3V | SDRAM |
| +12V | Audio +12V | OP AMP. |
| -12V | Audio -12V | OP AMP. |
| AVDD5 | Audio 5V | Audio DAC |
| DVDD3 | Audio 3.3V | Audio DAC |



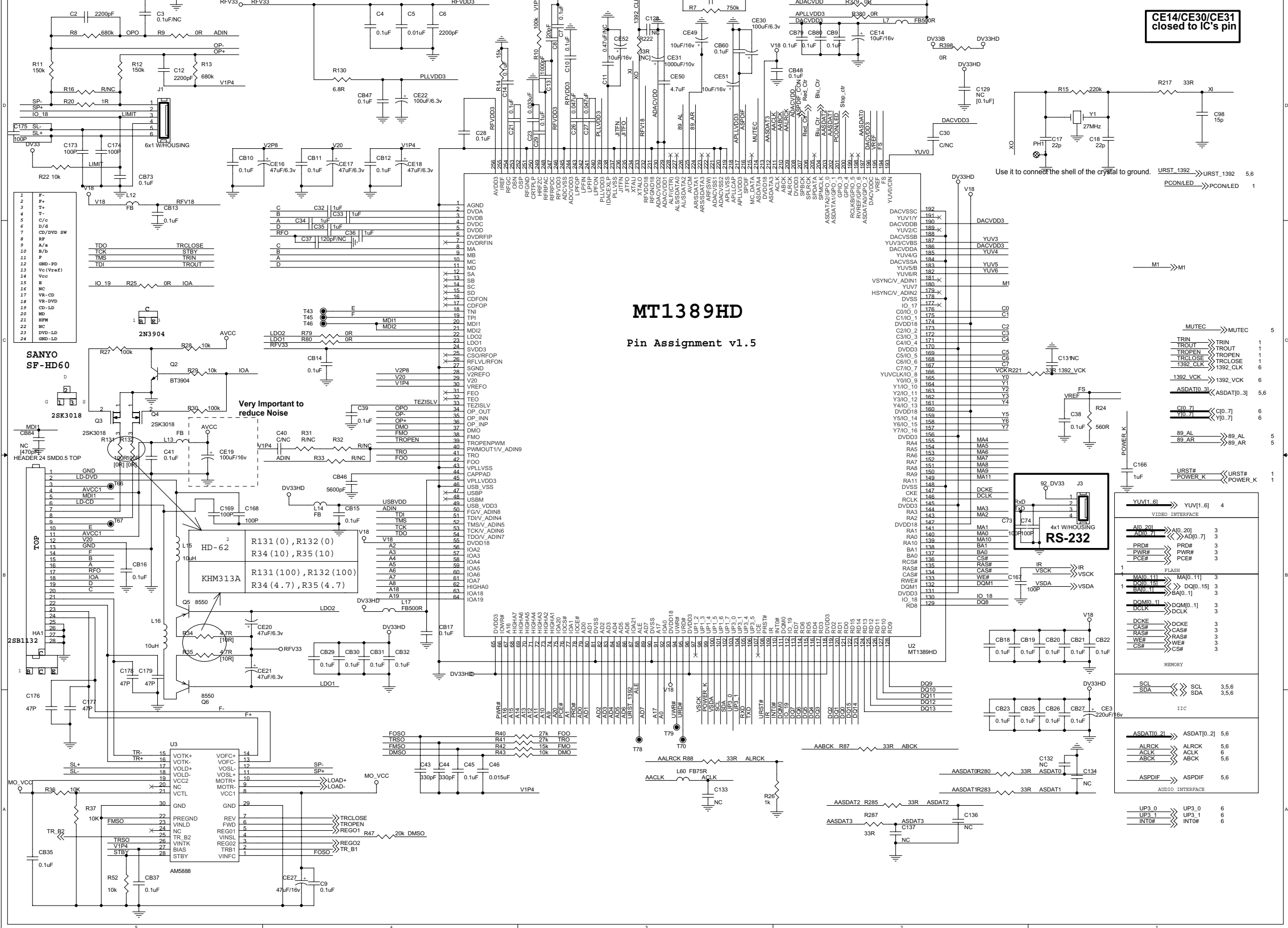
RESET Circuit



TO CD DOOR Control board



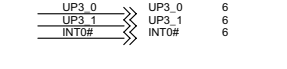
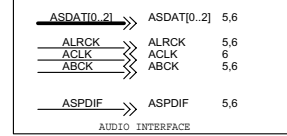
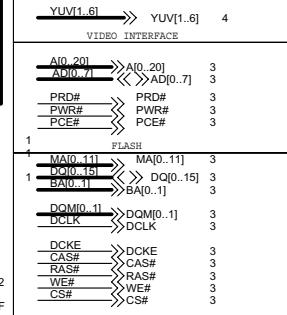
Main Board Electric Diagram for DVP6600/93/37, DVP6620/55/98: MT1389HD & Frontend



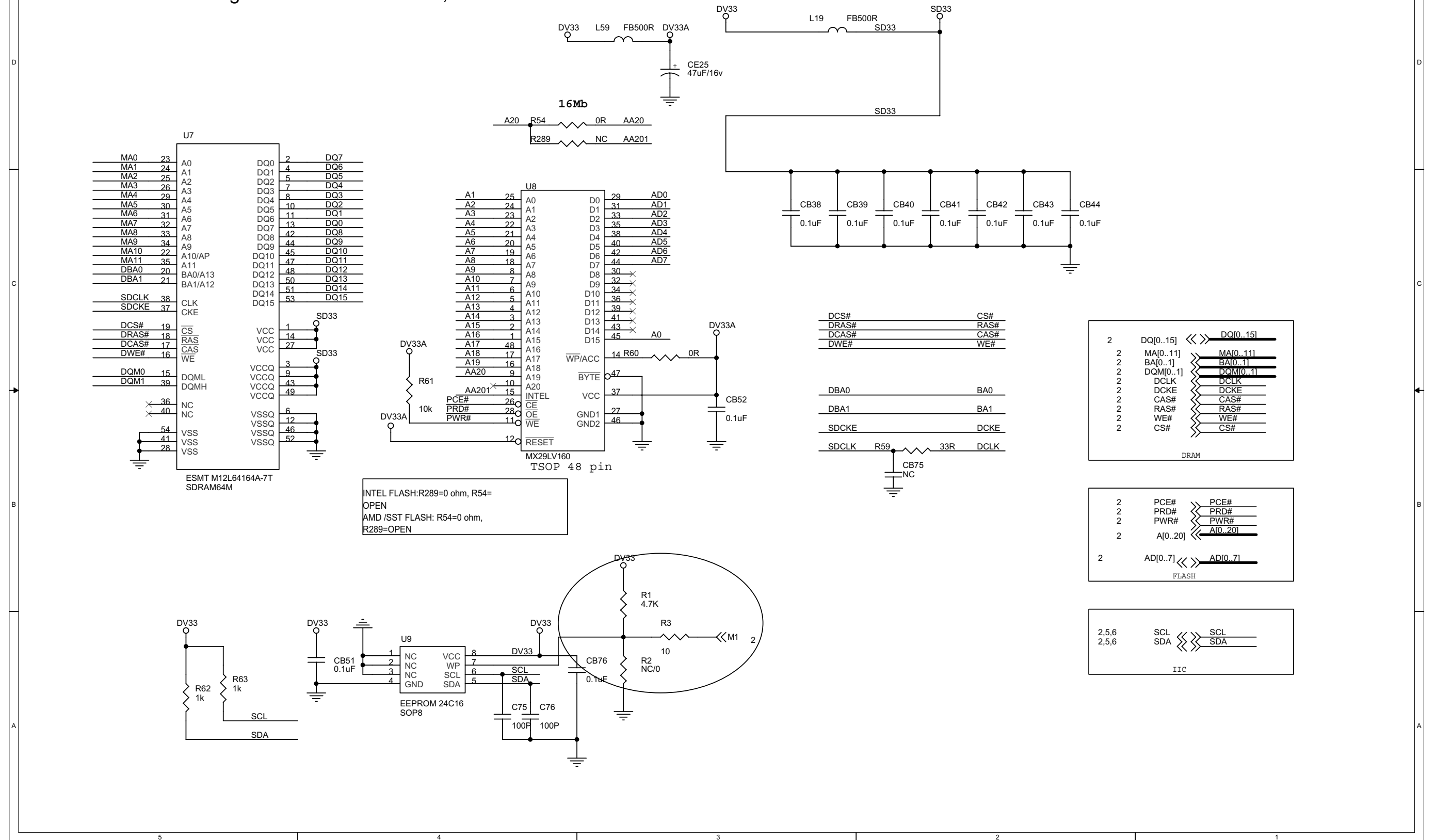
CE14/CE30/CE31 closed to IC's pin

Use it to connect the shell of the crystal to ground.

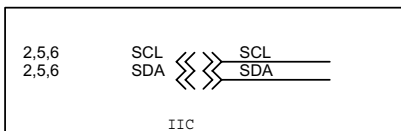
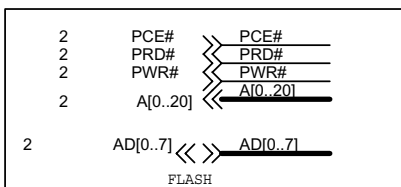
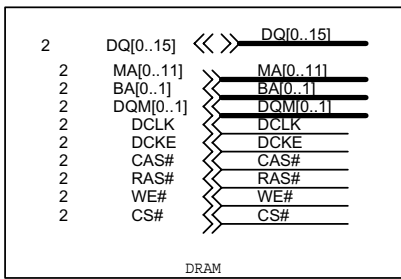
Very Important to reduce Noise



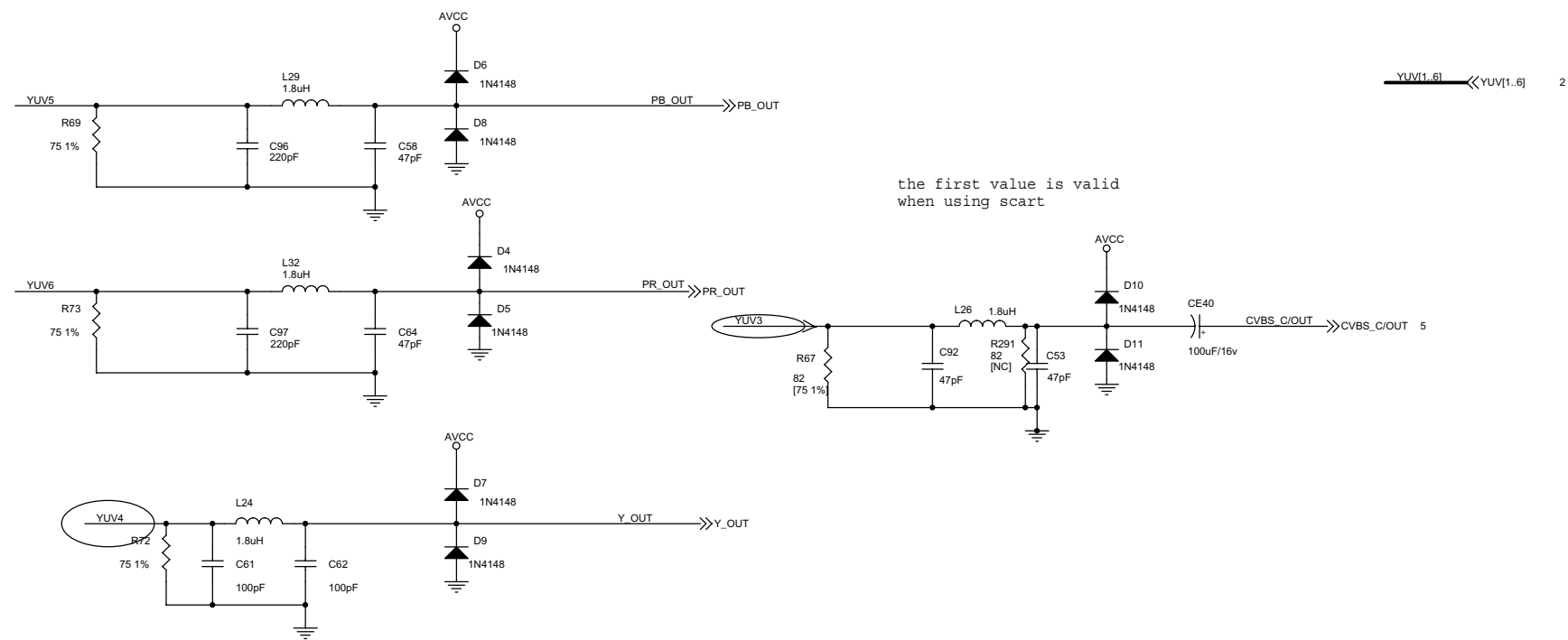
Main Board Electric Diagram for DVP6600/93/37, DVP6620/55/98/93: SDRAM & FLASH



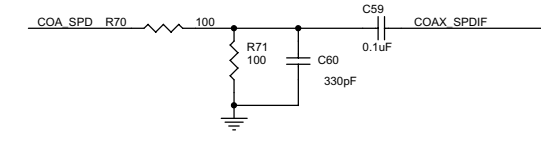
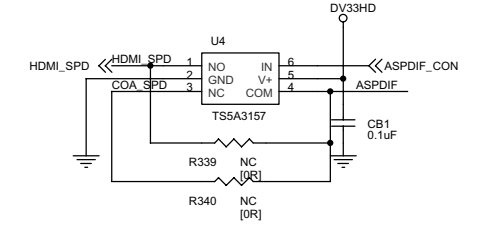
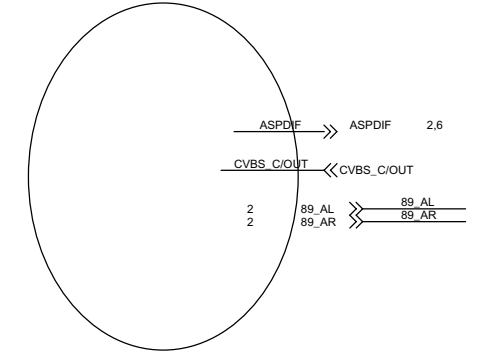
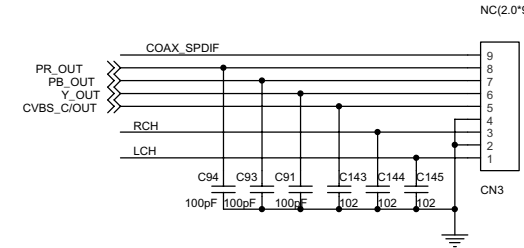
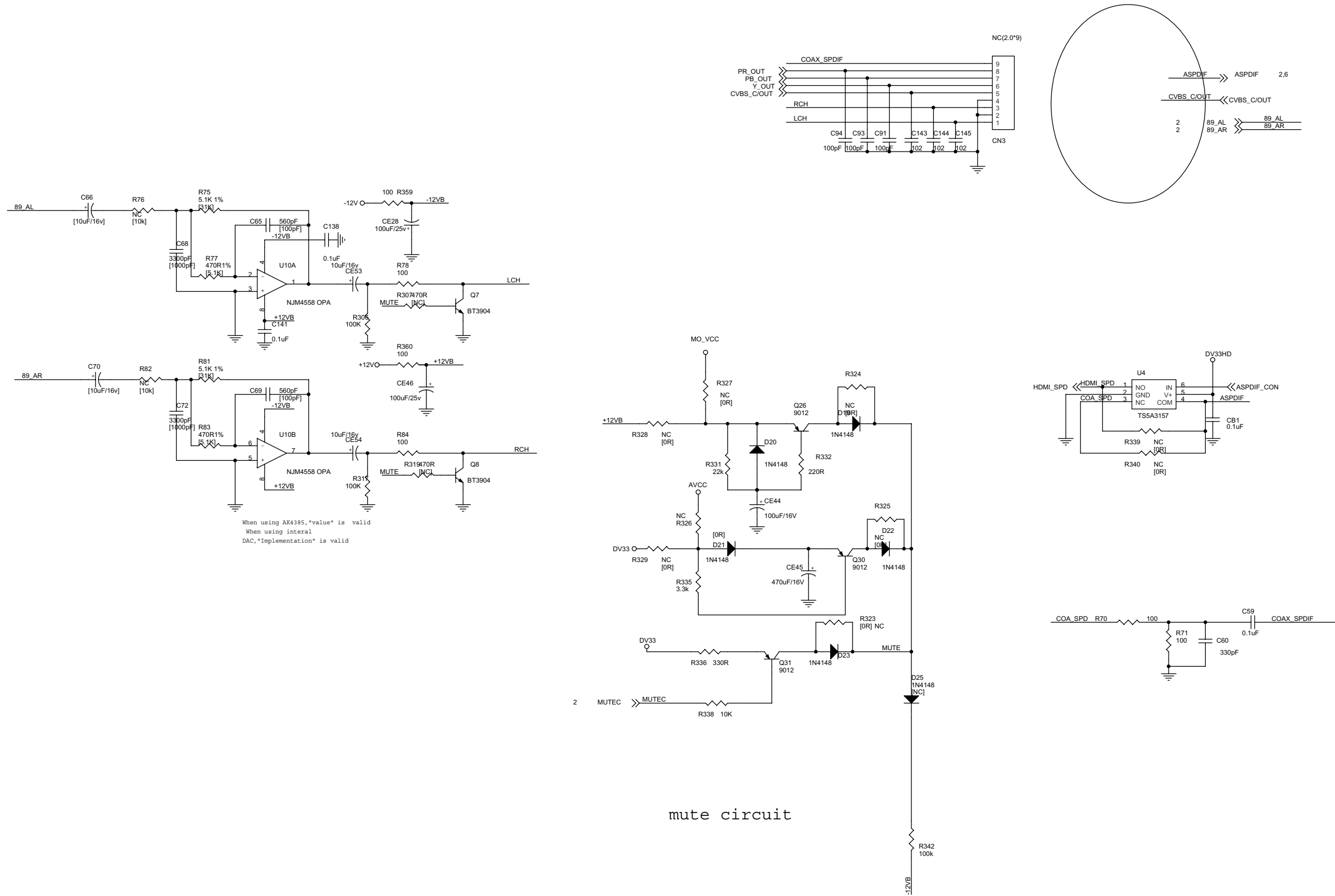
INTEL FLASH: R289=0 ohm, R54=OPEN
 AMD /SST FLASH: R54=0 ohm, R289=OPEN



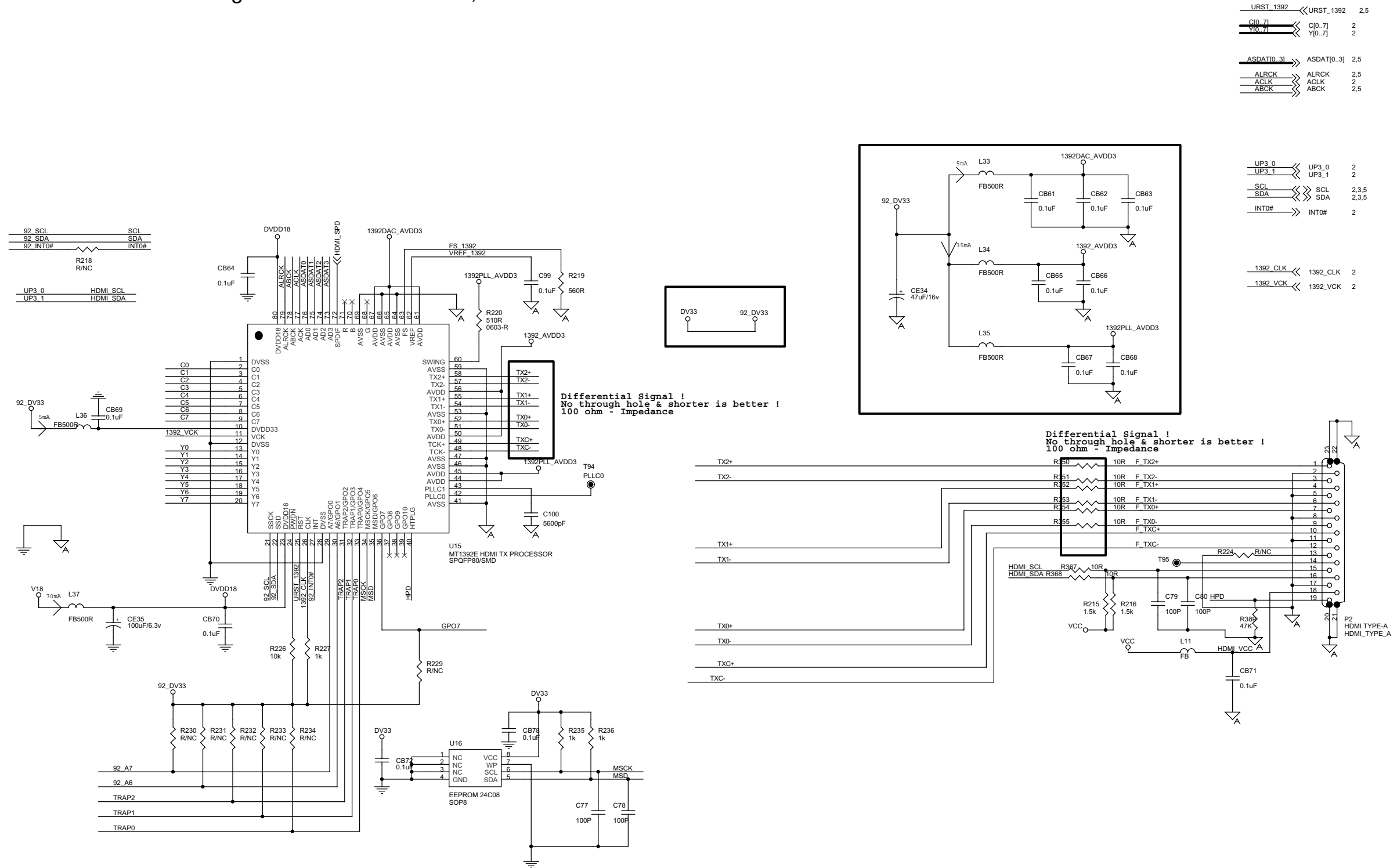
Main Board Electric Diagram for DVP6600/93/37,DVP6620/55/98/93: VIDEO OUT



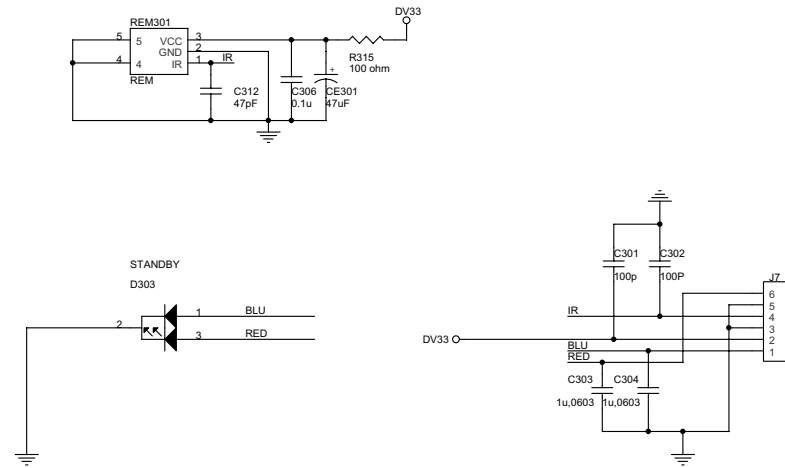
Main Board Electric Diagram for DVP6600/93/37,DVP6620/55/98/93:AUDIO OUT



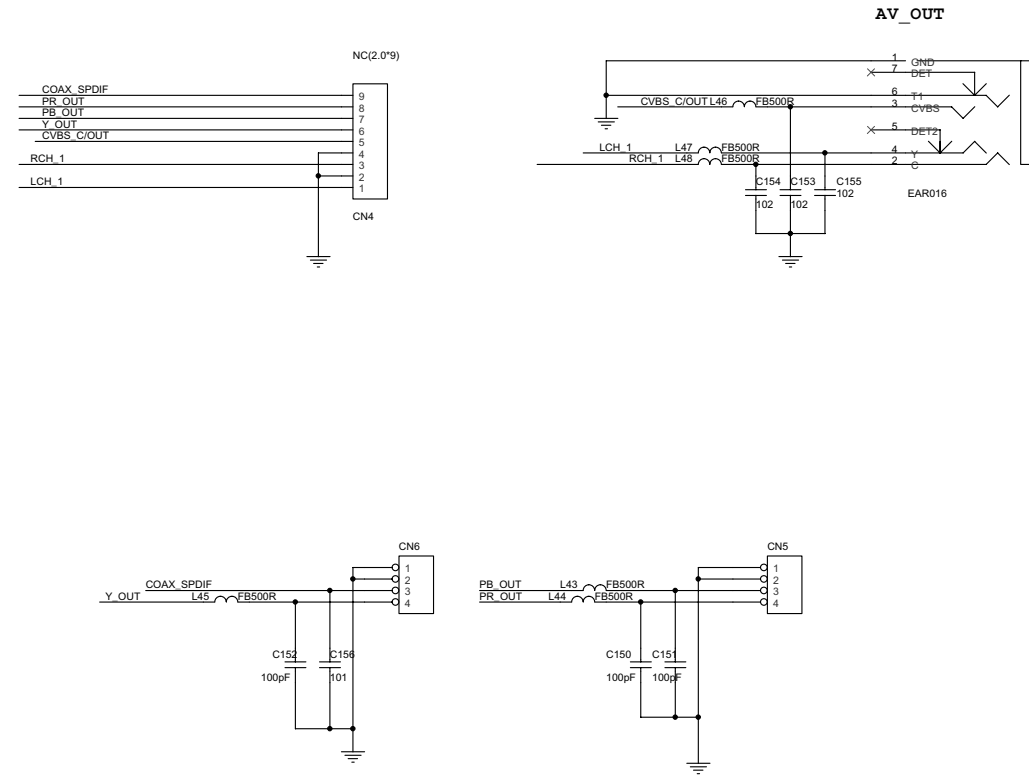
Main Board Electric Diagram for DVP6600/93/37, DVP6620/55/98/93: HDMI OUT MT1392&KARAOK



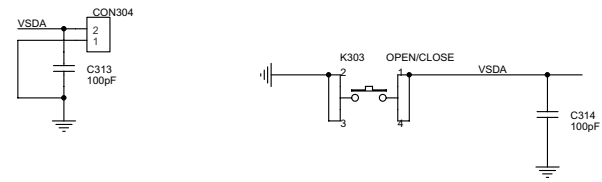
Main Board Electric Diagram for DVP6600/93/37,DVP6620/55/98/93: IR



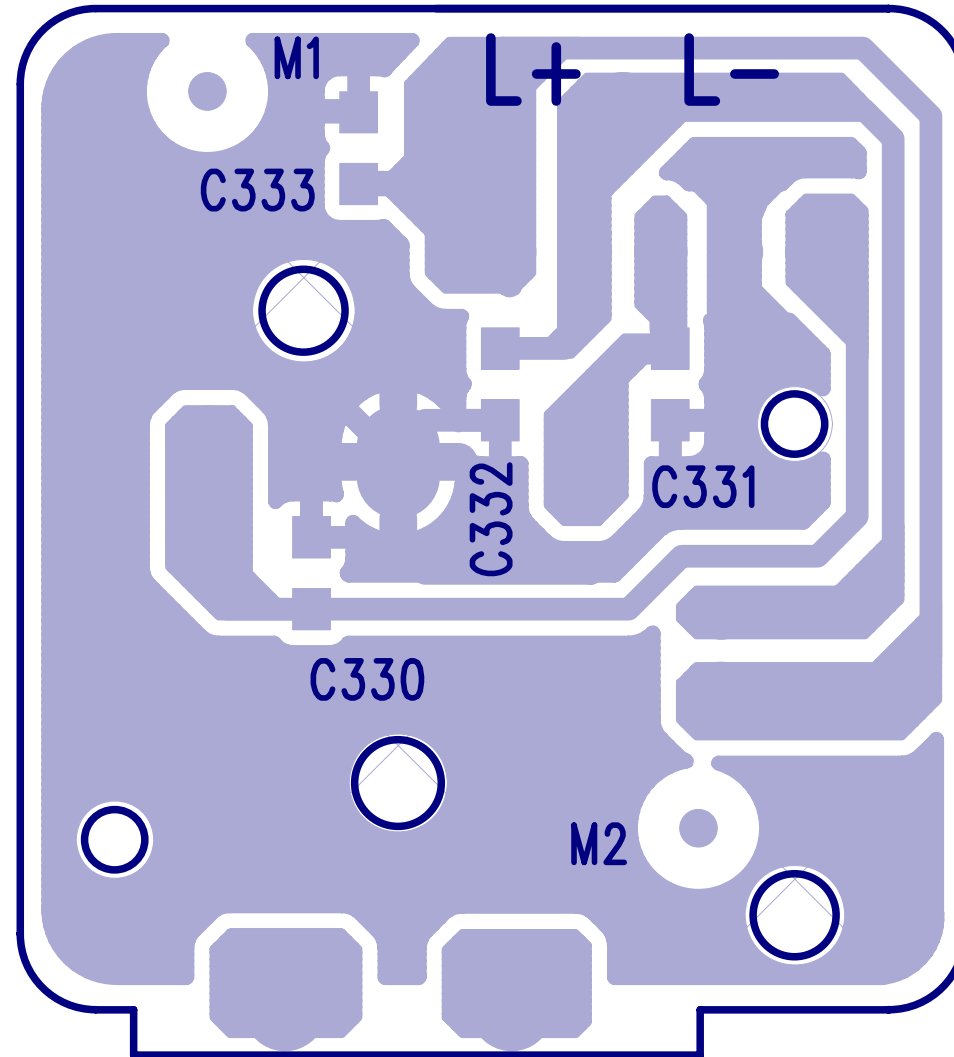
Main Board Electric Diagram for DVP6600/93/37,DVP6620/55/98/93 : AV



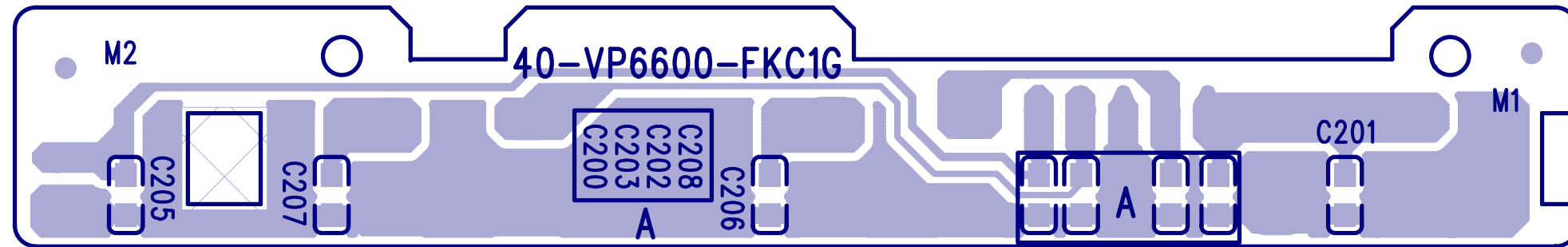
Main Board Electric Diagram for DVP6600/93/37,DVP6620/55/98/93 : OPEN/CLOSE KY



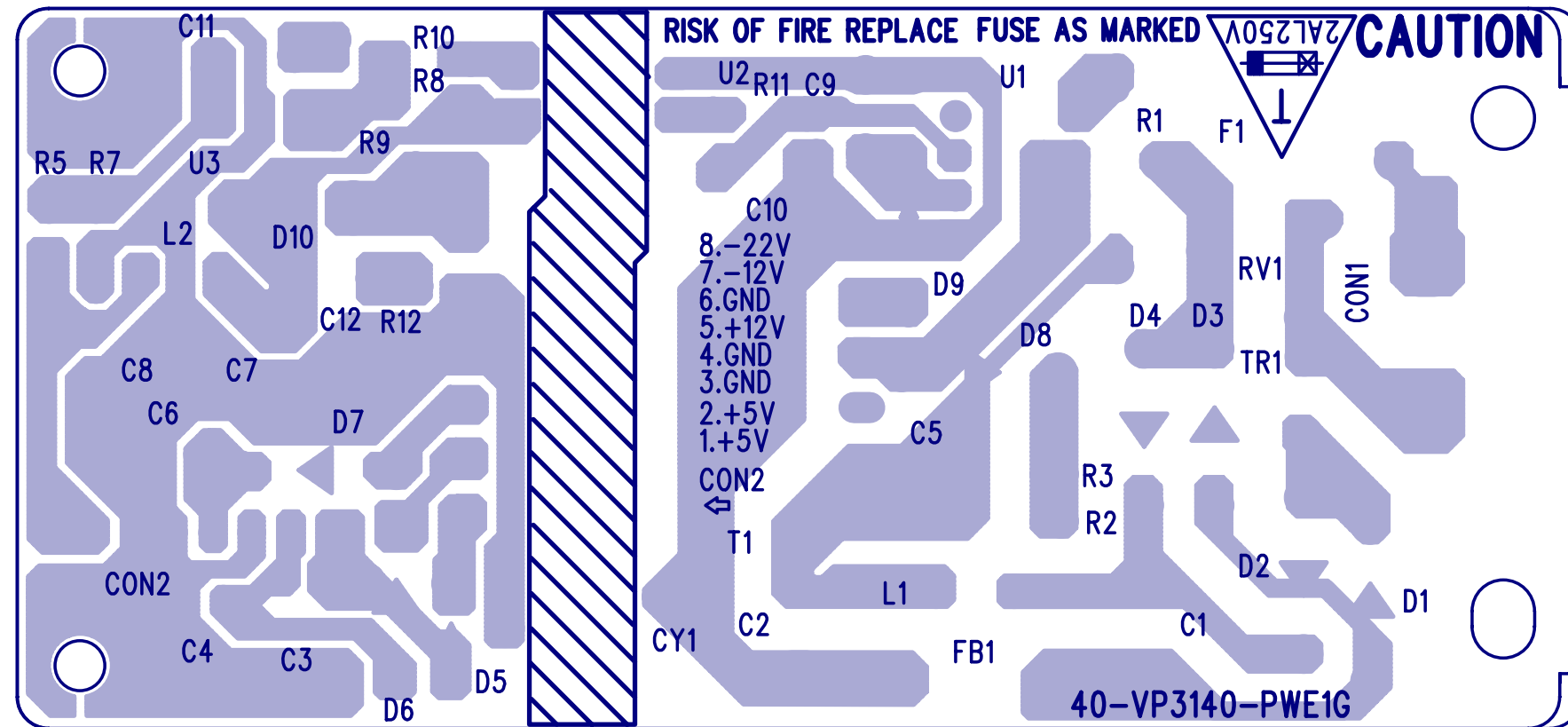
Switch Board Print_Layout (Bottom Side) for DVP6600/93/37,DVP6620/55/98/93



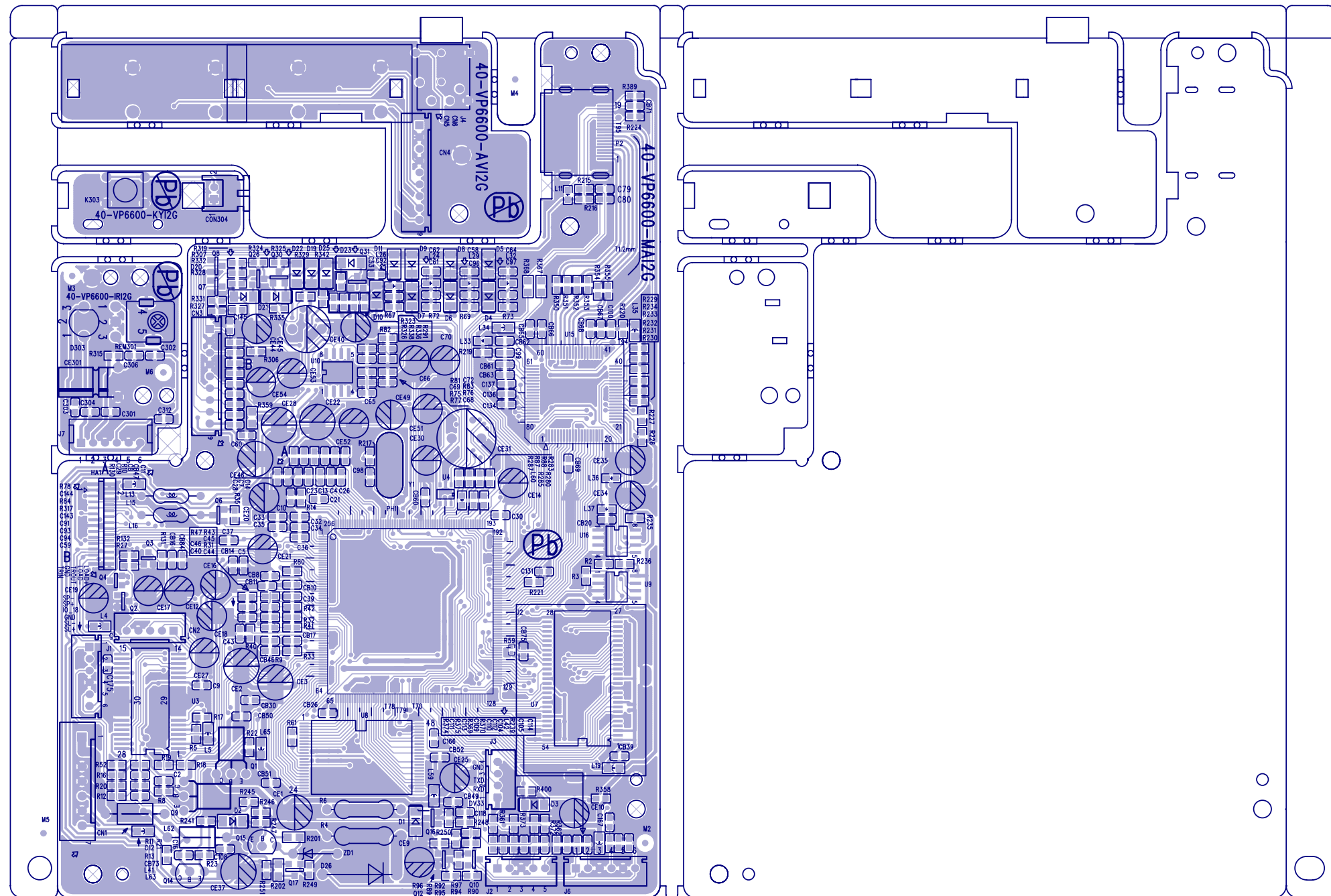
Control Board Print_Layout (Bottom Side) for DVP6600/93/37,DVP6620/55/98/93



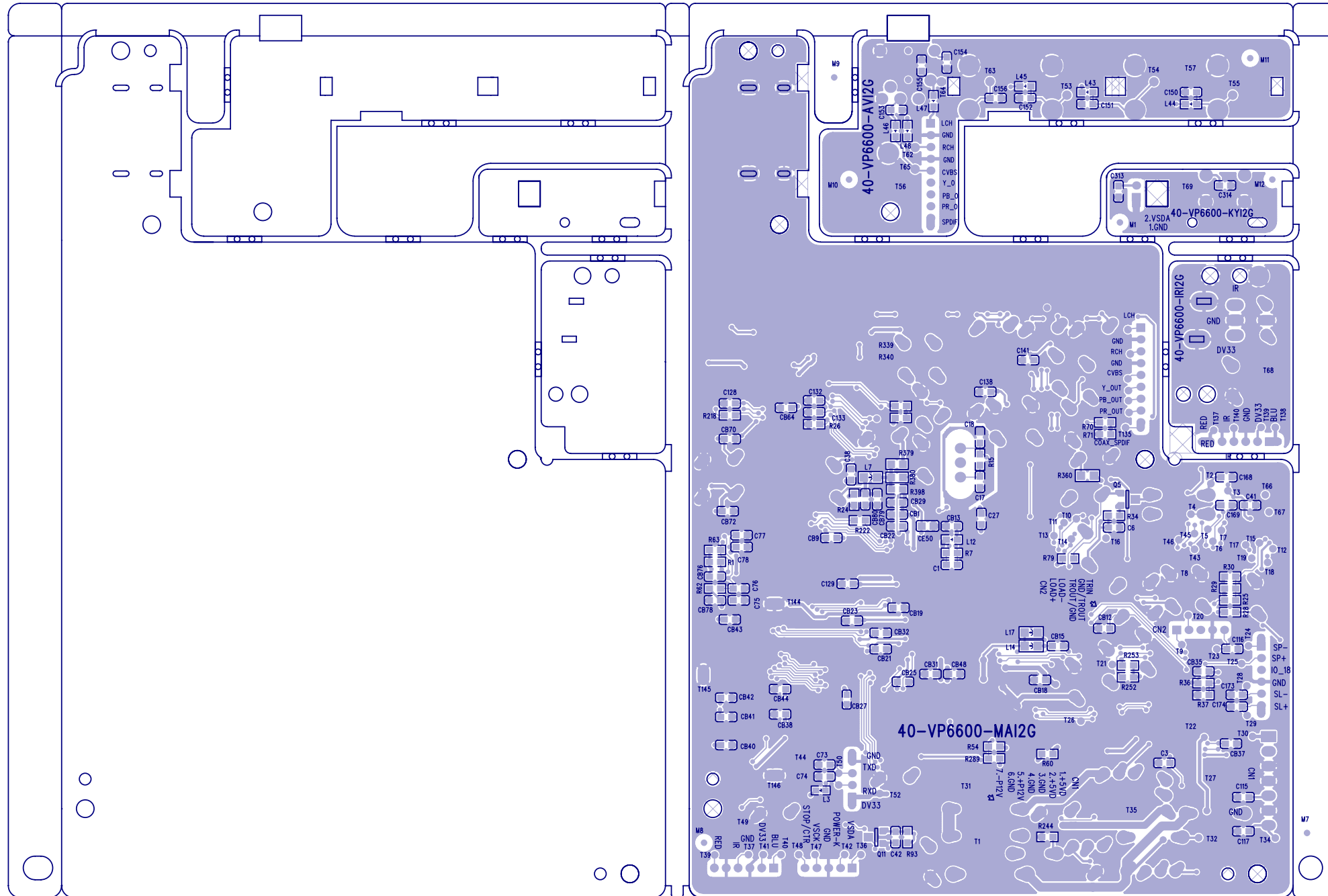
Power Board Print_Layout (Bottom Side) for DVP6600/93/37,DVP6620/55/98/93



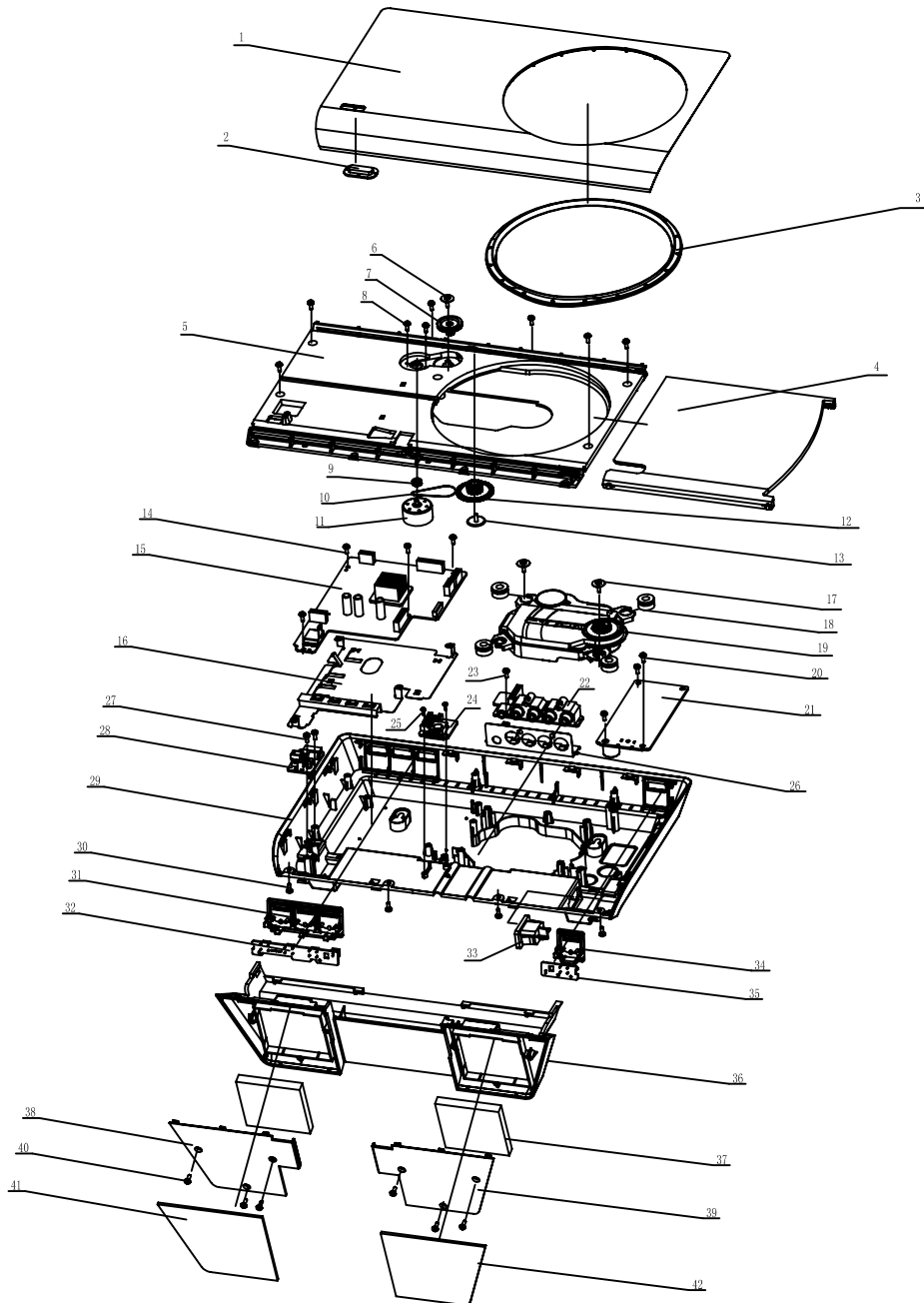
Main Board /AV Board / IR Board /Switch Board Print_Layout (Top Side) for DVP6600/93/37,DVP6620/55/98/93



Main Board /AV Board / IR Board /Switch Board Print_Layout (Bottom Side) for DVP6600/93/37,DVP6620/55/98/93



DVP6600/93/37,DVP6620/55/98/93 Mechanical Exploded View



It is a general Mechanical Exploded View for DVP6600/93/37, Detailed information please refer to Model set.

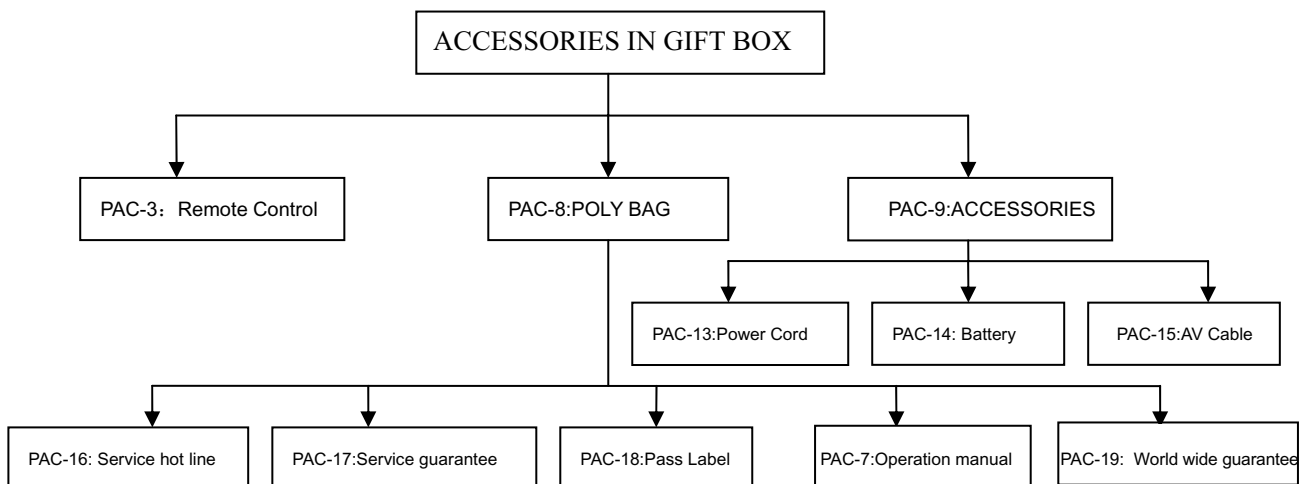
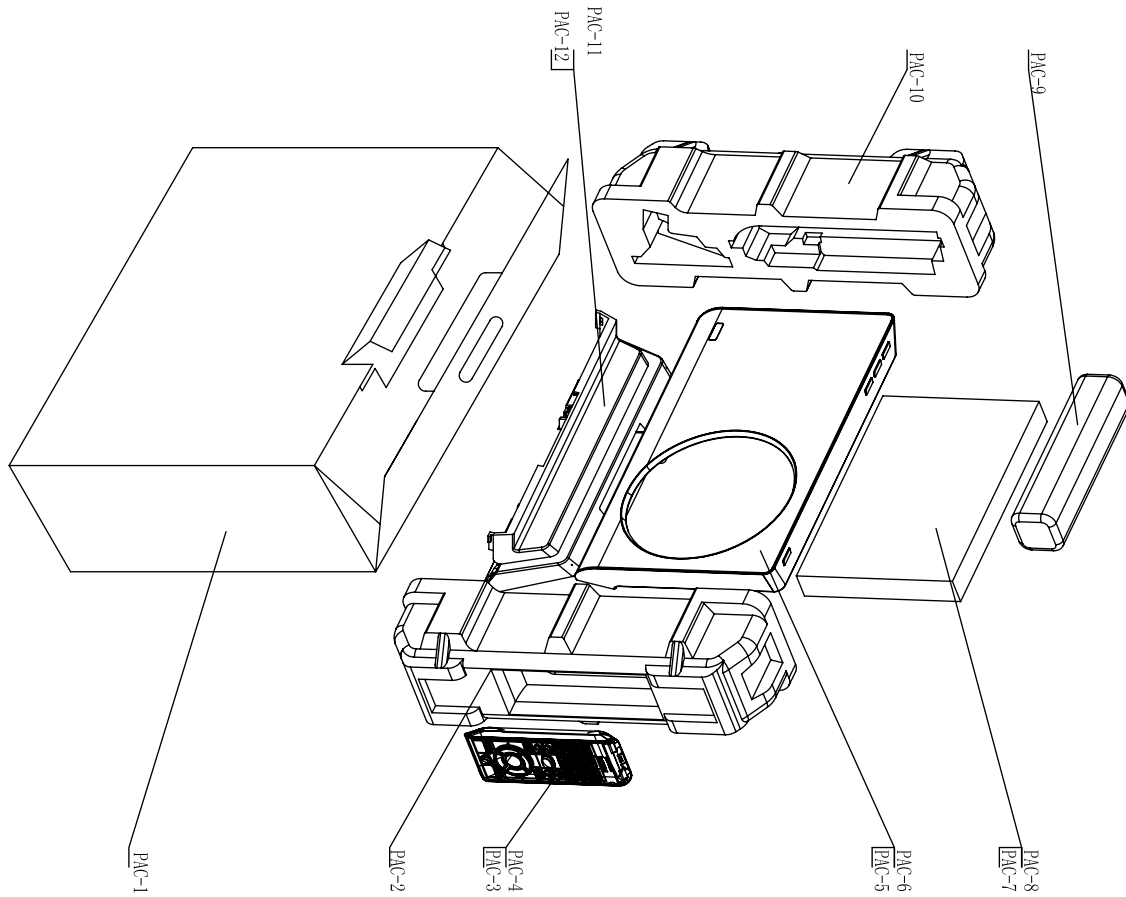
A1 is assembled component for location 1,2,3

A2 is assembled component for location 29,31,34 .

A3 is assembled component for location 36,37,38,39,40,41,42.

A4 is assembled component for location 4,5,6,7,8,9,10,11,12,13

DVP6600/93 Packing View



DVP6620/93 Spare Part List

Electrical PARTS LIST

| No | 12NC No. | Part Name | Q'ty |
|------|--------------|---------------------|------|
| 15 | 996510006348 | ASSY- MAIN BD | 1 |
| 18 | 996510006858 | IR Board | 1 |
| 19 | 996510015378 | DVD LOADER(AHD OPU) | 1 |
| △ 21 | 996510006349 | ASSY- PW BD | 1 |
| 22 | 996510006350 | AV BD | 1 |
| 24 | 996510006353 | ASSY- SW BD | 1 |
| 32 | 996510006352 | ASSY- SW BD | 1 |
| 35 | 996510006351 | ASSY- SW BD | 1 |

MECHANICAL & ACCESSORIES PARTS LIST

| No | 12NC No. | Part Name | Q'ty |
|---------|--------------|-------------------------|------|
| 10 | 996510011365 | STRAP | 1 |
| 11 | 996510011366 | MOTOR | 1 |
| 12 | 996510011362 | ATHEY WHEEL | 1 |
| 3RCAM | 996510007599 | 3RCA/M TO 3RCA/M L=1.5M | 1 |
| 4 | 996510009931 | CD DOOR | 1 |
| 5 | 996510011744 | Tray frame | 1 |
| 6621 | 996510000409 | FLEX CABLE | 1 |
| 6622 | 996510006356 | PH-6Y/JC-6Y,L=130 | 1 |
| 6623 | 996510006357 | PH-5Y/JC20-5Y L=40 | 1 |
| 6624 | 996510006358 | PH-9Y/SAN-9Y L=40 | 1 |
| 6625 | 996510001222 | HS 6P PH-6Y/PH-6Y | 1 |
| 7 | 996510011363 | ATHEY WHEEL | 1 |
| 9 | 996510011364 | MOTOR WHEEL | 1 |
| A1 | 996510011361 | Assy-Front Cover | 1 |
| A2 | 996510009932 | Assy-Rear Panel | 1 |
| A3 | 996510007604 | Assy-Bottom Socket | 1 |
| △ FUSE | 996510001780 | FUSE 2A 250V 5X20MM | 1 |
| PAC1 | 996510009930 | DISPLAY BOX | 1 |
| PAC10 | 996510006860 | RIGHT POLYFOAM | 1 |
| △ PAC13 | 996510009517 | POWER CORD | 1 |
| PAC15 | 996510008503 | AUDIO CABLE | 1 |
| PAC16 | 996500042132 | SERVICE HOT LINE | 1 |
| PAC17 | 996500033761 | SERVICE GUARANTEE | 1 |
| PAC19 | 996510008988 | WORLD-WIDE GUARANTEE | 1 |
| PAC2 | 996510006859 | LEFT POLYFOAM | 1 |
| PAC3 | 996510007598 | REMOTE CONTROL | 1 |
| PAC7 | 996510009929 | OPERATION MANUAL | 1 |
| PAC8 | 996510008699 | POLYFOAM | 1 |
| QSGC | 996510009102 | QUG IN S-CHINESE | 1 |
| QSGE | 996510009103 | QUG IN UK-ENGLISH | 1 |

DVP6600/93/37 and DVP6620/55/98 Spare Part List

| ENCASING & ACCESSORIES PARTS LIST | | | | SCREW LIST | | | | |
|-----------------------------------|--------------|---|--------------|---------------------------------|--|---|---------------------------|---|
| No | 12NC | Part Name | Qty | No | 12NC | Part Name | Qty | |
| A1 | 996510006364 | Ass'y-Top Cover for DVP6600/93/37 | 1 | - | 996510008699 | POLYBAM for DVP6600/93 DVP6620/55/98 | 1 | |
| | | Ass'y-Top Cover for DVP6620/98 | | D-BOX | 996510007601 | DISPLAY BOX for DVP6620/55 | | 1 |
| | 996510007603 | Ass'y-Top Cover for DVP6620/55 | 996510007608 | DISPLAY BOX for DVP6620/98 | | | | |
| 4 | 996510006363 | CD Door for DVP6600/93/37 | 1 | - | - | DISPLAY BOX for DVP6600/37 | | |
| | 996510009931 | CD DOOR for DVP6620/55/98 | | 996510008700 | DISPLAY BOX for DVP6600/93 | | | |
| A4 | 996510006367 | OTHER PART for DVP6600/93 | 1 | ⚠ | - | 996510001175 | POWER CORD for DVP6620/55 | 1 |
| | | OTHER PART for DVP6600/37 | | | - | 996510001537 | POWER CORD for DVP6620/98 | |
| | | OTHER PART for DVP6620/55/98 | | | - | 996510006371 | POWER CORD for DVP6600/37 | |
| 15 | 996510006348 | Main Board for DVP6600/93,DVP6620/55/98 | 1 | SCREWS | | | | |
| 16 | - | Shield for DVP6600/37 | 1 | 13 | - | SCREW | 1 | |
| | - | Shield for DVP6620/55 | | 14 | - | S/T SCREW B 2.6 X 8 BF | 4 | |
| 18 | - | Rubber PAD | 4 | 17 | - | SCREW | 2 | |
| 19 | 996500035358 | DVD Loader for DVP6600/93,DVP6620/55/98 | 1 | 20 | - | S/T SCREW B 3 X 8 BF | 3 | |
| 21 | - | Power Board for DVP6600/37 | 1 | 23 | - | S/T SCREW B 3 X 8 BF | 1 | |
| | 996510006349 | Power Board for DVP6600/93,DVP6620/55/98 | | 25 | - | Binding Head Screw | 1 | |
| 22 | 996510006350 | AV Board for DVP6600/93/37,DVP6620/55/98 | 1 | 27 | - | S/T SCREW B 2.6 X 8 BF | 2 | |
| 24 | 996510006353 | ASSY- SW BD for DVP6600/93/37,DVP6620/55/98 | 1 | 30 | - | S/T SCREW | 4 | |
| 26 | - | Shield | 1 | Connector parts&FUSE | | | | |
| 28 | 996510006858 | IR Board for DVP6600/93, DVP6620/55/98 | 1 | 3RCA/M | 996510007599 | 3RCA/M TO 3RCA/M L=1.5M for DVP6620/55/98 | 1 | |
| A2 | 996510006366 | Ass'y-Rear Panel for DVP6600/93 | 1 | 3RCA/M | - | 3RCA/M TO 3RCA/M L=1.5M for DVP6600/37 | 1 | |
| | | Ass'y-Rear Panel for DVP6600/37 | | ⚠ | F1 | 996510001780 | FUSE for DVP6600/93 | 1 |
| | 996510007605 | Ass'y-Rear Panel for DVP6620/55/98 | HA1 | 996510000409 | HS 24PIN for DVP6600/93,DVP6620/55/98 | 1 | | |
| 32 | 996510006352 | ASSY- SW BD for DVP6600/93/37,DVP6620/55/98 | 1 | J7 | 996510006356 | PH-6Y/JC-6Y,L=130 for DVP6600/93,DVP6620/55/98 | 1 | |
| 33 | - | Connector | 1 | 6623 | 996510006357 | PH-5Y/JC20-5Y L=40 for DVP6600/93,DVP6620/55/98 | 1 | |
| 35 | 996510006351 | ASSY- SW BD for DVP6600/93/37,DVP6620/55/98 | 1 | 6602 | 996510008698 | PH-5Y/JC20-5Y L=40 | 1 | |
| A3 | - | Ass'y-Bottom Socket for DVP6600/37/93 | 1 | CN4 | 996510006358 | PH-9Y/SAN-9Y L=40 for DVP6600/93,DVP6620/55/98 | 1 | |
| | 996510007604 | Ass'y-Bottom Socket for DVP6620/55/98 | | 996510001222 | PH-6Y/PH-6Y for DVP6600/93,DVP6620/55/98 | 1 | | |
| Accessories parts | | | | | | | | |
| RC | 996510007598 | REMOTE CONTROL for DVP6620/55/98 | 1 | | | | | |
| | 996510006354 | REMOTE CONTROL for DVP6600/37/93 | | | | | | |
| IFU | 996510006362 | POWER CORD FOR DVP6600/93 | 1 | ⚠ | | | | |
| | 996510008988 | WORLD-WIDE GUARANTEE for DVP6600/93 | | | | | | |
| | 996510007600 | OPERATION MANUAL for DVP6620/55 | | | | | | |
| | - | OPERATION MANUAL for DVP6600/37 | | | | | | |
| | 996510007607 | OPERATION MANUAL for DVP6620/98 | | | | | | |
| | 996510006359 | OPERATION MANUAL for DVP6600/93 | | | | | | |

REVISION LIST

Version 1.0

- * Initial release

Version 1.1

- *Include /98/55 for DVP6620 models
- *Updated the ENCASING&ACCESSORIES PARTS LIST
- * Updated the MECHANICAL PARTS LIST

Version 1.2

- *Correction of Partcode to Philips 12nc

Version 1.3

- * Include /93 for DVP6620 model
- *Updated the ENCASING&ACCESSORIES PARTS LIST
- *Updated the MECHANICAL PARTS LIST